

MOT. D 0824 LF I GF
MOT. D 0834

D 0824 | 0834

MAN Motorbaumuster

MAN Engine Model | Modèle de moteur MAN | Modello de motores MAN

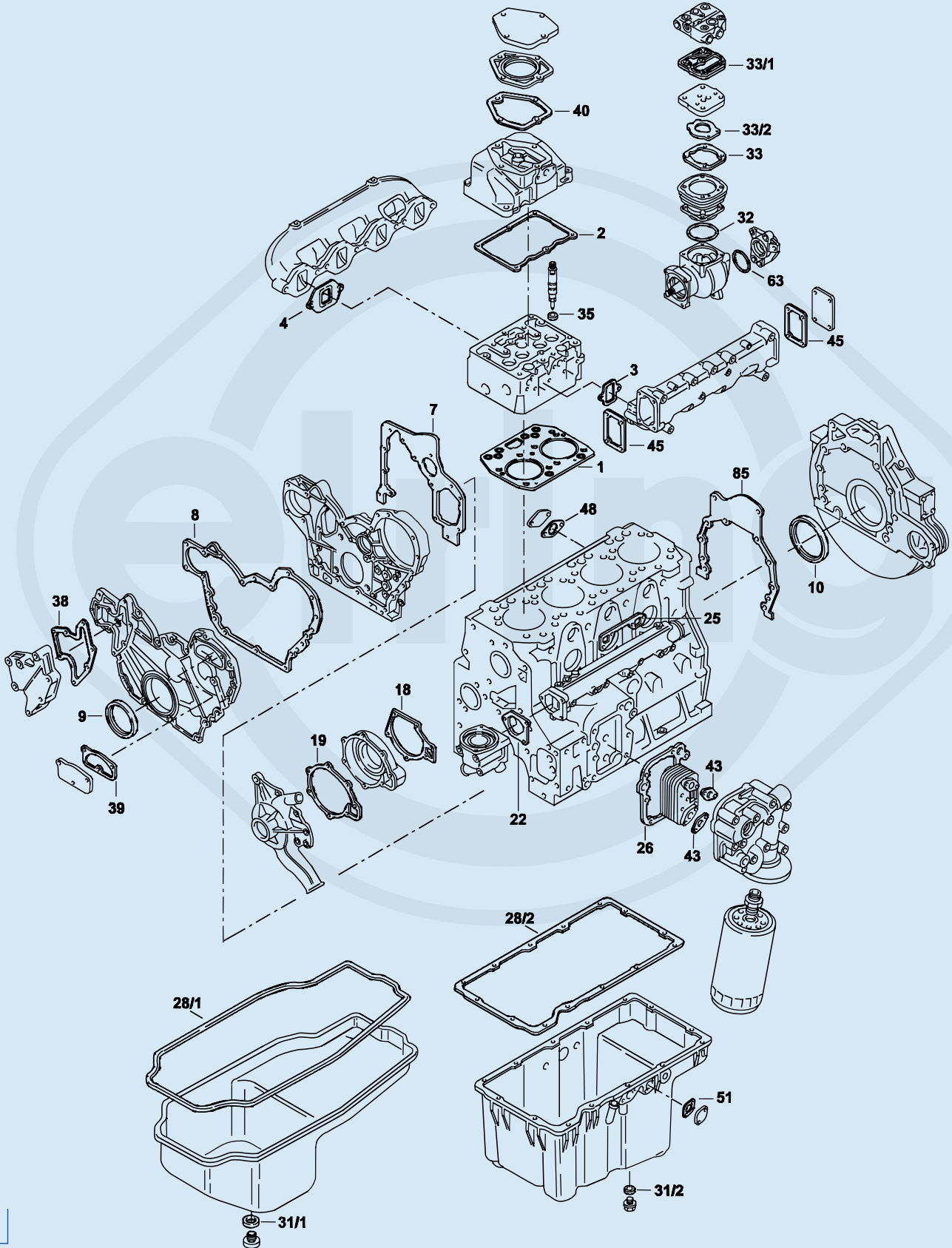


Bild-Nr. Fig. No. No d'illustration Nº figura	Elring-Nr. Elring reference Référence Elring Referencia Elring	Stück Pieces Pièces Piezas	Teile-Nr. Part Number Référence Referencia	Bauart Material Abmessung Type Material Dimensions Type matériau dimension Tipo Material Medidas	Bemerkung Remarks Remarque Notas
S *	051.370	1	51.00900.6577	–	LF
ES	636.320	2	51.00900.6628	–	D 0834
ES	835.641	2	51.00900.6550	–	D 0824
CS *	146.190	1	51.00900.6590	–	GF
ZKS	820.245	2	–	–	–
1	845.710	2	51.03901.0379	–	–
2	636.310	2	51.03905.0155	Metaloseal	D 0834
2	835.634	2	51.03905.0148	–	D 0824
3	639.010	4	51.08902.0179	–	–
4	277.762	4	51.08901.0027	–	–
7	895.289	1	51.01903.0305	–	–
7	977.331	1	51.01903.0297	–	LFL 02 06 07
8	758.604	1	51.01903.0246	–	–
9	749.983	1	51.01510.0237	66x90x12 BS LA RD FPM	–
10	323.772	1	51.01510.0151	110x130x13 BS SP LD FPM	–
18	895.360	1	51.06901.0118	–	–
19	895.378	1	51.06901.0119	–	–
22	895.386	1	51.06904.0023	–	–
25	811.930	2	51.06903.0030	–	–
26	811.904	1	51.05901.0102	–	–
28/1	845.470	1	51.05904.0197	Elastomer Rubber Caoutchouc Goma	Blechölwanne stamped oil pan carter d'huile en tôle Cârter de aceite de chapa
28/2	834.697	1	51.05904.0171	EWP	Alu-Gussölwanne aluminum oil pan carter d'huile en alu Cârter de aceite de alumínio
31/1	a.A.	1	–	ME	Blechölwanne stamped oil pan carter d'huile en tôle Cârter de aceite de chapa
31/2	122.904	1	06.56190.0713	18x24x1,5 CU A	Alu-Gussölwanne aluminum oil pan carter d'huile en alu Cârter de aceite de alumínio
32	597.791	1	81.96503.0018	94x100x3 ACM RD	–
33	a.A.	1	81.54901.0059	–	Luftpresser compressor compresseur compresor 220 cm ³
33	776.085	1	81.54901.0084	–	Luftpresser compressor compresseur compresor 300 cm ³
33/1	755.355	1	81.54901.0089	–	Luftpresser compressor compresseur compresor 220 cm ³
33/1	a.A.	1	81.54901.0102	–	Luftpresser compressor compresseur compresor 300 cm ³
33/2	061.440	1	81.54116.0002	–	–
35	296.660	4	51.98701.0111	7,3x15x1 CU A	–
38	811.883	1	51.01903.0295	–	–
39	811.876	1	51.01903.0294	–	–
40	834.688	2	51.03905.0130	–	–
43	896.489	2	51.96601.0546	–	–
45	414.030	2	51.08902.0139	–	–
48	895.407	1	51.96601.0474	–	–
51	922.138	1	06.56259.0033	–	–
63	127.420	1	06.56342.4242	88x94x3 NBR RD	–
85	925.055	1	51.01903.0273	–	–