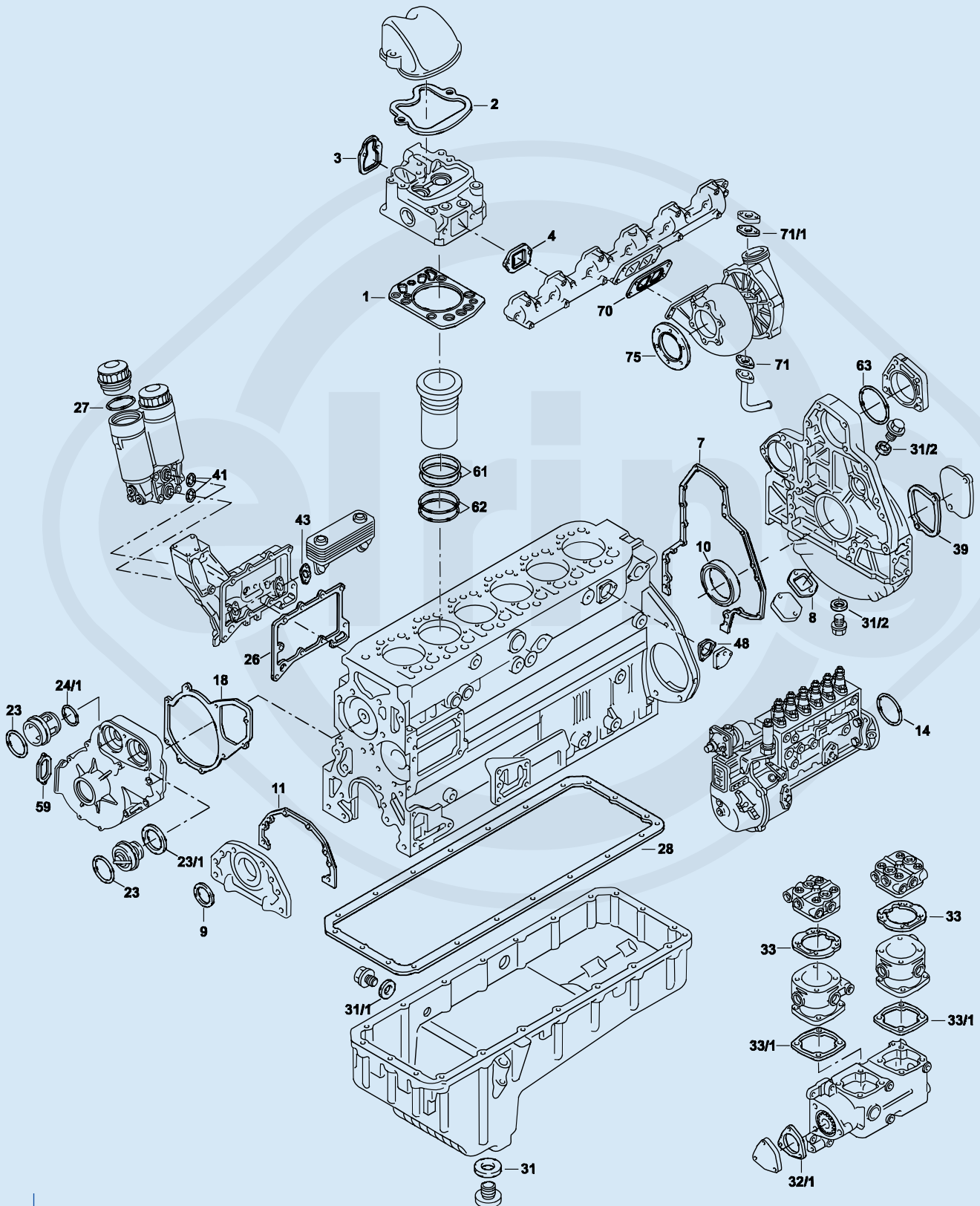


# D 2866

# MAN Motorbaumuster

MAN Engine Model | Modèle de moteur MAN | Modello de motores MAN



<b>Bild-Nr.</b> <b>Fig. No.</b> <b>No d'illustration</b> <b>Nº figura</b>	<b>Elring-Nr.</b> <b>Elring reference</b> <b>Référence Elring</b> <b>Referencia Elring</b>	<b>Stück</b> <b>Pieces</b> <b>Pièces</b> <b>Piezas</b>	<b>Teile-Nr.</b> <b>Part Number</b> <b>Référence</b> <b>Referencia</b>	<b>Bauart   Material   Abmessung</b> <b>Type   Material   Dimensions</b> <b>Type   matériau   dimension</b> <b>Tipo   Material   Medidas</b>	<b>Bemerkung</b> <b>Remarks</b> <b>Remarque</b> <b>Notas</b>
S *	518.346	1	51.00900.6398	–	–
ES	834.327	6	51.00900.6558	–	incl. 451.690
ES	215.230	6	51.00900.6629	–	incl. 752.037
CS *	146.340	1	51.00900.6602	–	LF 20   21   22   29
CS *	146.350	1	51.00900.6603	–	LF 02-10   14-16
ZKS	820.548	6	–	–	–
1	451.690	6	51.03901.0356	ME	–
1	752.037	6	51.03901.0298	MLS	–
2	638.901	6	51.03905.0134	EWP	–
2	829.803	6	51.03905.0135	FW	–
3	896.365	6	51.08902.0161	–	–
4	638.951	6	51.08901.0023	–	–
7	829.595	1	51.01903.0252	–	–
8	316.408	1	51.96601.0382	–	–
9	766.852	1	51.01510.0197	105x130x12 RD PTFE/ACM	–
10	766.828	1	51.01510.0206	120x140x13 LD PTFE/ACM	–
11	834.556	1	51.01903.0251	–	–
14	106.607	1	51.96501.0346	138x145x3,5 FPM RD	–
18	756.881	1	51.06901.0147	–	–
23	088.872	1	06.56341.2122	60x68x4 NBR RD	–
23/1	977.446	1	51.06901.0108	–	–
24	088.872	1	06.56341.2122	60x68x4 NBR RD	–
24/1	095.842	1	51.96501.0337	36,5x43,5x3,5 NBR RD	–
26	803.820	1	51.05901.0119	–	–
27	147.760	2	06.56933.6408	–	–
28	845.541	1	51.05904.0198	Elastomer   Rubber   Caoutchouc   Goma	Blechölwanne   stamped oil pan   carter d'huile en tôle   Cárter de aceite de chapa
28	921.084	1	51.05904.0132	EWP	Alu-Gussölwanne   aluminum oil pan   carter d'huile en alu   Cárter de aceite de aluminio
31	803.900	1	51.96601.0352	26,3x37x2 CU A	–
31/1	115.100	1	06.56190.0706	14x20 CU A	–
31/2	115.100	1	06.56190.0706	14x20 CU A	–
32/1	286.347	1	51.08902.0151	–	–
33	775.798	2	51.54901.0027	–	–
33/1	756.229	1	51.54901.0028	–	–
41	804.110	2	06.56939.0027	–	–
43	759.295	2	51.96601.0416	–	–
48	924.970	1	51.06901.0157	–	–
59	768.391	1	51.06901.0111	–	–
61	825.778	12	51.96501.0417	138x142,2x2,1 FPM RD	–
62	518.131	12	51.96501.0412	144x152x4 FPM RD	–
63	244.848	1	51.96501.0324	126x133x3 FPM RD	–
70	321.541	1	51.08901.0150	–	–
71	804.580	1	51.96601.0575	–	–
71/1	803.970	1	51.96601.0577	–	–
75	830.747	1	51.15901.0012	–	–