

MOT. D 2866 LF 23 | 24 | 25 | 26 | 27 | 28 | 30 | 31 | 32 | 36 | 37 | 41

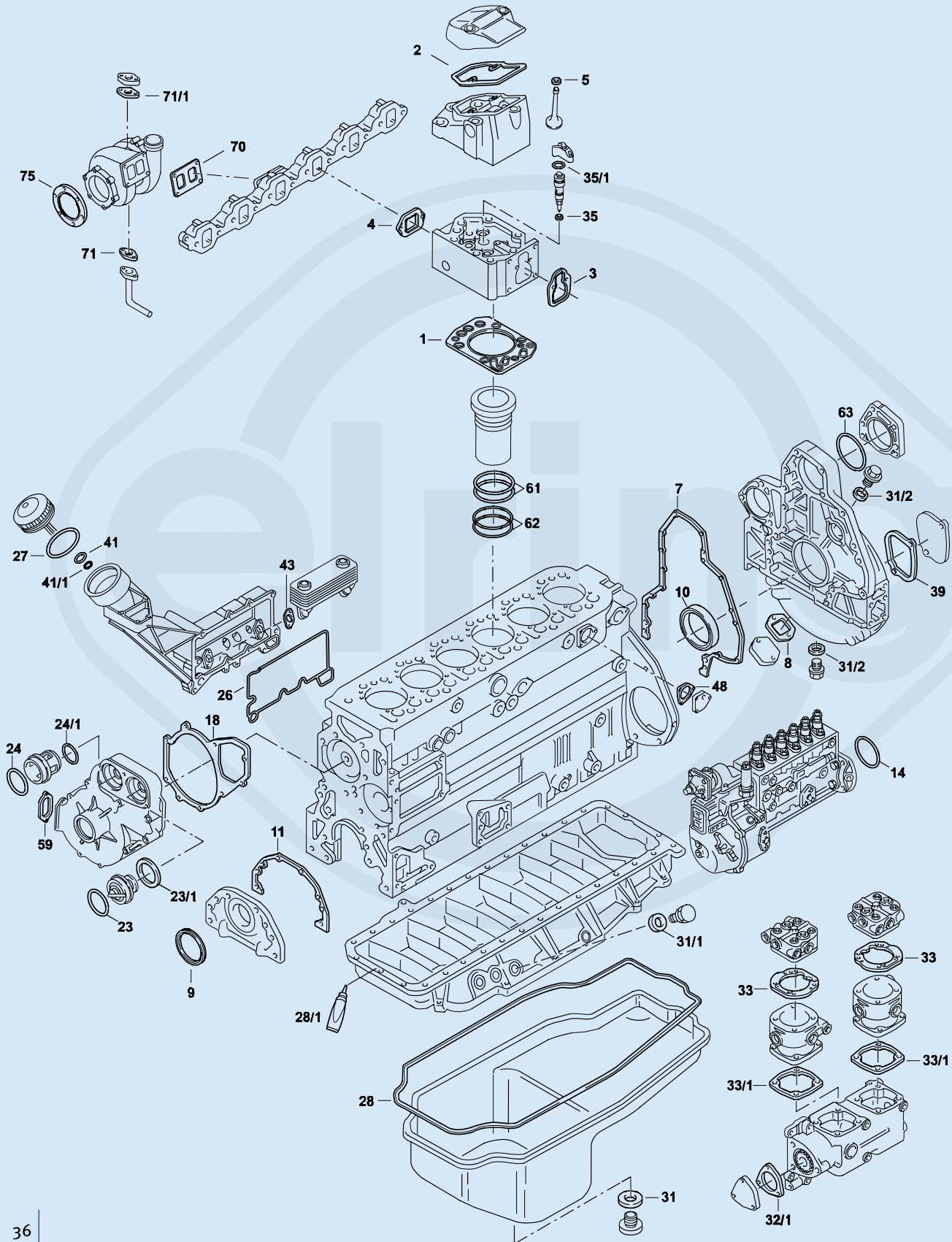
MOT. D 2876 LF 03-11 | 14 | 17 | 20

MOT. D 2876 LOH 02 | 03 | 05

D 2866 4V
D 2876 4V

MAN Motorbaumuster

MAN Engine Model | Modèle de moteur MAN | Modello de motores MAN



<i>Bild-Nr.</i> <i>Fig. No.</i> <i>No d'illustration</i> <i>Nº figura</i>	<i>Elring-Nr.</i> <i>Elring reference</i> <i>Référence Elring</i> <i>Referencia Elring</i>	<i>Stück</i> <i>Pieces</i> <i>Pièces</i> <i>Piezas</i>	<i>Teile-Nr.</i> <i>Part Number</i> <i>Référence</i> <i>Referencia</i>	<i>Bauart Material Abmessung</i> <i>Type Material Dimensions</i> <i>Type matériau dimension</i> <i>Tipo Material Medidas</i>	<i>Bemerkung</i> <i>Remarks</i> <i>Remarque</i> <i>Notas</i>
S *	061.690	1	51.00900.6635	–	–
ES	296.770	6	51.00900.6630	–	Ohne Zylinderkopfhaubendichtung Without valve cover gasket sans joint de couvercle de culasse Sin junta de tapa de culata
VAS	830.941	2	–	–	–
ZKS	015.920	1	–	–	–
1	829.722	6	51.03901.0338	ME-Insert 1,7 mm	–
2	123.410	5	51.03905.0157	ME	ohne Kabeldurchführung without cable channel sans passe-câble sin pasacables
2	123.420	1	51.03905.0161	ME	mit Kabeldurchführung with cable channel avec passe-câble con pasacables
3	360.751	6	51.08902.0194	–	–
4	476.231	6	51.08901.0104	–	–
5	814.882	12	51.04902.0033	–	–
7	829.595	1	51.01903.0252	–	–
8	316.408	1	51.96601.0382	–	–
9	766.852	1	51.01510.0197	105x130x12 RD PTFE/ACM	–
9/1	828.645	1	51.01501.6013	RWDR+Gegenlauftring counter-rotating ring bague en contresens aro de contramarcha	–
10	766.828	1	51.01510.0206	120x140x13 LD PTFE/ACM	–
10/1	828.637	1	51.01501.6012	RWDR+Gegenlauftring counter-rotating ring bague en contresens aro de contramarcha	–
11	834.556	1	51.01903.0251	–	–
14	106.607	1	51.96501.0346	138x145x3,5 FPM RD	–
18	756.881	1	51.06901.0147	–	–
23	088.872	1	06.56341.2122	60x68x4 NBR RD	–
23/1	977.446	1	51.06901.0108	–	–
24	088.872	1	06.56341.2122	60x68x4 NBR RD	–
24/1	095.842	1	51.96501.0337	36,5x43,5x3,5 NBR RD	–
26	803.820	1	51.05901.0119	EWP	–
26	012.300	1	51.05901.0122	Elastomer Rubber Caoutchouc Goma	–
27	147.760	2	06.56933.6408	–	–
28	845.541	1	51.05904.0198	Elastomer Rubber Caoutchouc Goma	–
28/1	610.020	1	04.10394.9272	Dirko Düsenkartusche nozzle cartridge cartouche à buse cartucho de boquillas 310 ml	–
31	a.A.	1	06.56631.0110	ME	–
31/1	122.904	1	06.56190.0713	18x24 CU A	–
31/2	115.100	2	06.56190.0706	14x20 CU A	–
32/1	286.347	1	51.08902.0151	–	–
33	775.798	2	51.54901.0027	–	–
33/1	756.229	1	51.54901.0028	–	–
35	106.909	6	51.98701.0065	9,5x20x1 CU A	–
35/1	296.520	6	06.56936.6409	24,6x29,6x2,5 FPM RD	–
41	804.110	2	06.56939.0027	–	–
43	759.295	2	51.96601.0416	–	–
48	924.970	1	51.06901.0157	–	–
59	768.391	1	51.06901.0111	–	–
61	825.778	12	51.96501.0417	138x142,2x2,1 FPM RD	–
62	518.131	12	51.96501.0412	144x152x4 FPM RD	–
63	244.848	1	51.96501.0324	126x133x3 FPM RD	–