

D 2876 4V

MAN Motorbaumuster

MAN Engine Model | Modèle de moteur MAN | Modello de motores MAN

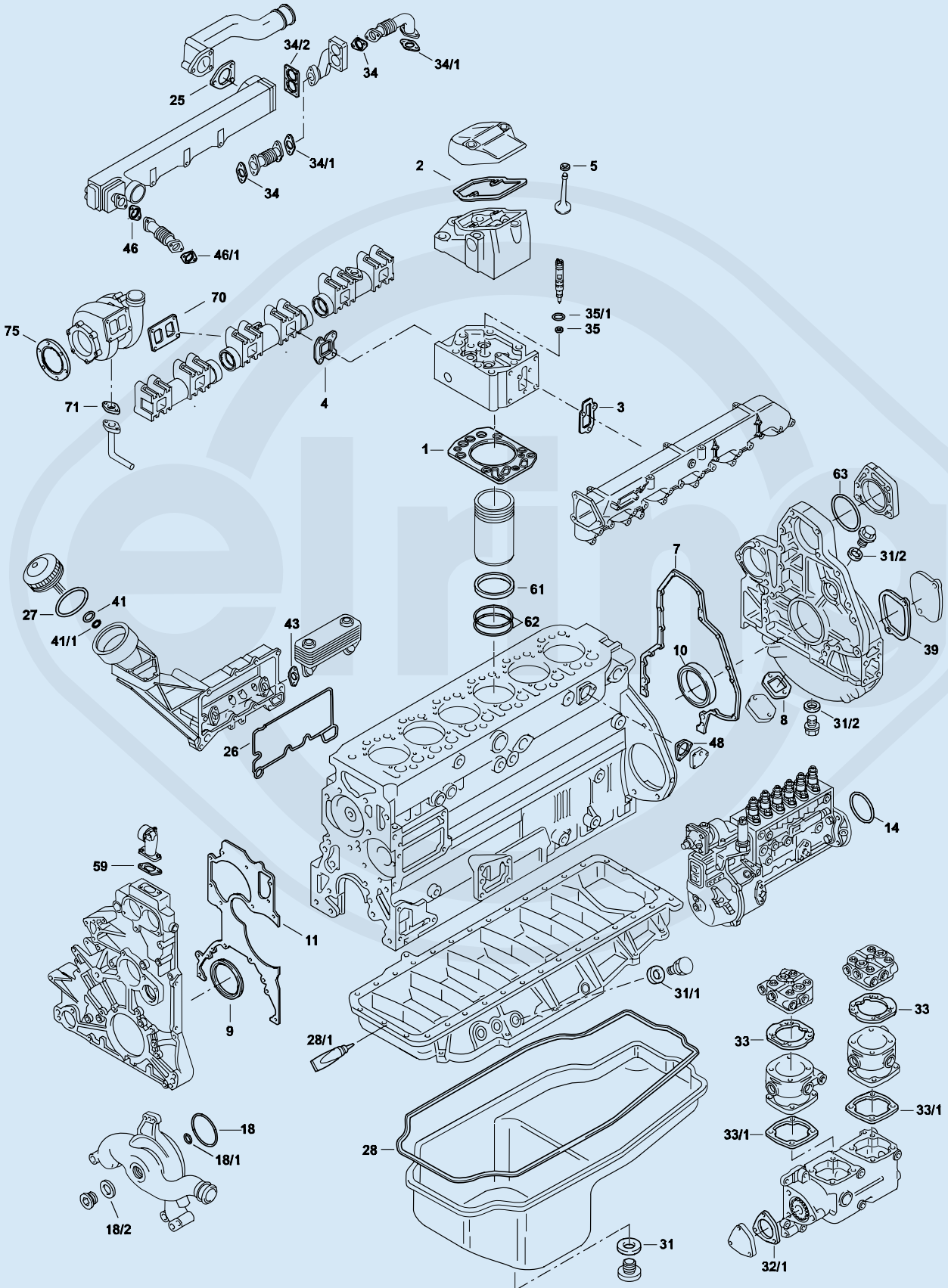


Bild-Nr. Fig. No. No d'illustration Nº figura	Elring-Nr. Elring reference Référence Elring Referencia Elring	Stück Pieces Pièces Piezas	Teile-Nr. Part Number Référence Referencia	Bauart Material Abmessung Type Material Dimensions Type matériau dimension Tipo Material Medidas	Bemerkung Remarks Remarque Notas
S *	124.960	1	51.00900.6652	–	–
ES	009.980	6	51.00900.6653	–	–
VAS	830.941	2	–	–	–
1	099.980	6	51.03901.0382	ME-Insert, 1,7 mm	–
2	100.010	6	51.03905.0180	ME	mit Kabeldurchführung with cable channel avec passe-câble con pasacables
3	100.040	6	51.08902.0202	–	–
4	100.020	6	51.08901.0155	–	–
5	814.882	12	51.04902.0033	9x12 15,4x11 FPM PR	–
7	829.595	1	51.01903.0252	–	–
8	316.408	1	51.96601.0382	–	–
9	766.852	1	51.01510.0197	105x130x12 RD PTFE/ACM	–
9/1	828.645	1	51.01501.6013	RWDR + Gegenlaufring counter- rotating ring bague en contre- sens aro de contramarcha	–
10	766.828	1	51.01510.0206	120x140x13 LD PTFE / ACM	–
10/1	828.637	1	51.01501.6012	RWDR + Gegenlaufring counter- rotating ring bague en contre- sens aro de contramarcha	–
11	746.791	1	51.01901.0129	–	–
14	106.607	1	51.96501.0346	138x145x3,5 FPM RD	–
18	–	1	06.56939.0067	75,87x2,62 EPDM 70 Shore A	–
18/1	–	1	06.56939.0046	23,52x1,78 EPDM 70 Shore A	–
18/2	031.151	1	06.56200.0707	42x49x2 CU A	–
25	a.A.	–	51.06901.0157	–	–
26	012.300	1	51.05901.0122	–	–
27	–	1	51.96501.0487	–	–
28	845.541	1	51.05904.0198	Elastomer Rubber Caoutchouc Goma	–
28/1	705.705	1	04.10394.9292	Dirko rot red rouge rojo 70 ml	–
31	–	1	06.56631.0110	22,7x30x2 FE FPM	–
31/1	122.904	1	06.56190.0713	18x24x1,5 CU A DIN 7603	–
31/2	115.100	2	06.56190.0706	14x20x1,5 CU A DIN 7603	–
32/1	286.347	1	51.08902.0151	–	–
33	775.798	2	51.54901.0027	–	–
33/1	756.229	2	51.54901.0028	–	–
34	a.A.	2	51.08901.0117	–	–
34/1	a.A.	2	51.08901.0121	–	–
34/2	a.A.	1	51.08901.0114	–	–
35	293.140	6	51.98701.0118	7,6x15x1,5 CU A	–
35/1	a.A.	6	06.56333.2256	24x30x3 FPM 70 Shore A	–
39	a.A.	1	51.01903.0235	–	–
41	a.A.	1	51.96501.0486	12x16x2 ACM RD	–
41/1	a.A.	1	51.96501.0485	8x12x2 ACM RD	–
43	759.295	2	51.96601.0416	–	–
46	a.A.	1	51.08901.0124	–	–
46/1	a.A.	1	51.08901.0120	–	–
48	924.970	1	51.06901.0157	–	–
59	768.391	1	51.06901.0111	–	–
61	a.A.	6	51.96501.0540	FPM PR	–
62	518.131	12	51.96501.0412	144x152x4 FPM RD	–
63	244.848	1	51.96501.0324	126x133x3 FPM RD	–
70	a.A.	1	51.08901.0182	–	–
71	804.580	1	51.96601.0575	–	–
75	830.747	1	51.15901.0012	–	–