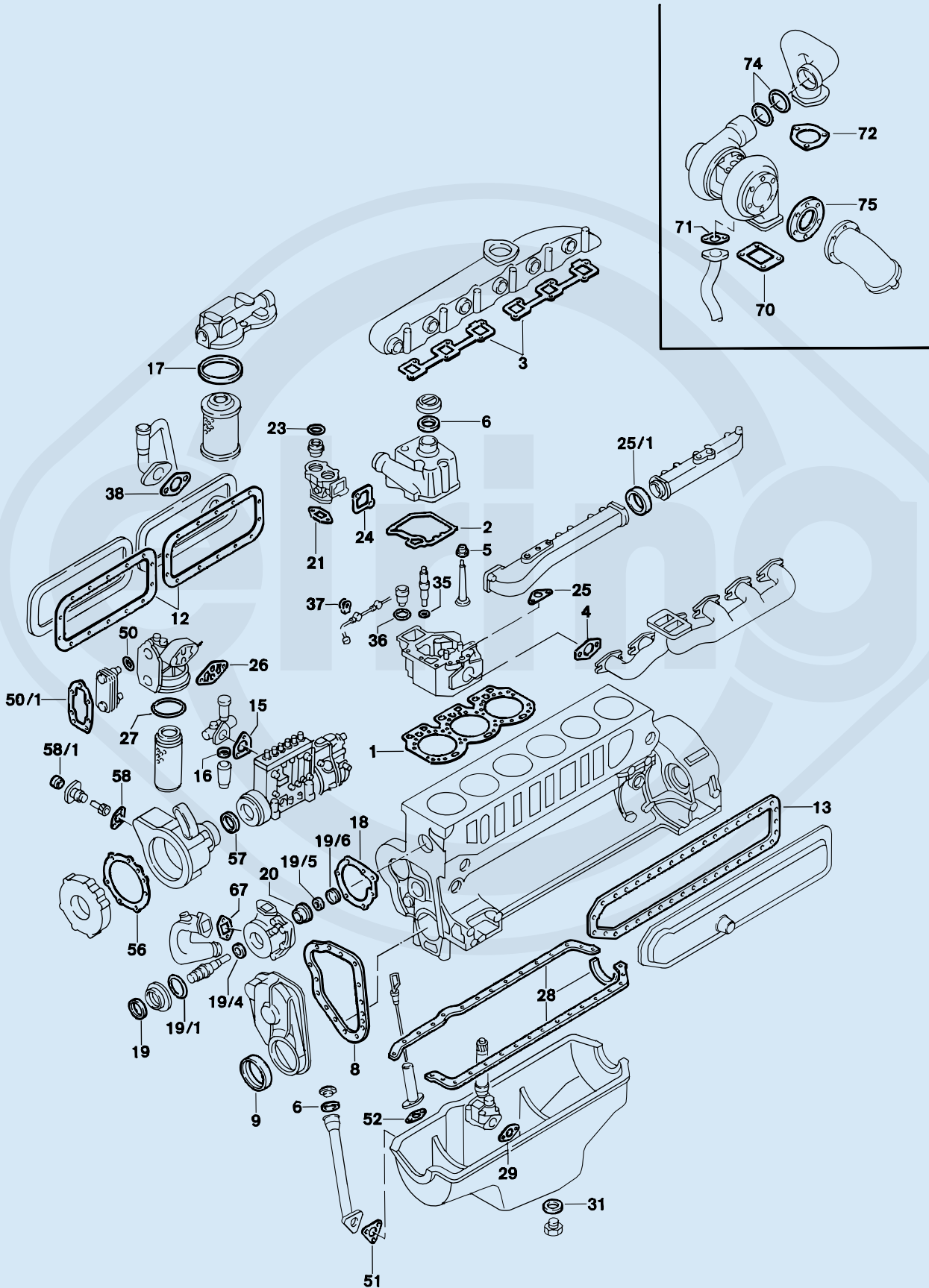


OM 355 | 355 A

Mercedes-Benz Motorbaumuster

Mercedes-Benz Engine Model | Modèle de moteur Mercedes-Benz | Modelo



de motor Mercedes-Benz

Bild-Nr. Fig. No. No d'illustration Nº figura	Elring-Nr. Elring reference Référence Elring Referencia Elring	Stück Pieces Pièces Piezas	Teile-Nr. Part Number Référence Referencia	Bauart Material Abmessung Type Material Dimensions Type matériau dimension Tipo Material Medidas	Bemerkung Remarks Remarque Notas
S *	581.519	1	–	–	–
ES	820.637	1	355 010 12 20 +352 053 02 96 24x	–	–
CS *	094.987	1	355 010 55 08	–	–
LPS	061.650	1	–	–	Mot. 355.960 962-964 969 974-976 979 980
1	749.541	2	355 016 04 20	–	–
2	775.525	6	355 016 00 21	–	–
3	213.240	2	355 141 02 80	–	–
4	558.192	6	345 142 00 80	–	–
5	325.813	24	352 053 02 96	9x14,6/19x14 ACM PR	–
6	a.A.	1	352 018 01 80	37x59,5x3 Kork	–
6	827.428	1	102 018 03 80	38,5x59x2,3 HNBR A	–
8	183.555	1	346 015 01 20	–	–
9	525.316	1	011 997 56 47 011 997 57 47	BS RD FPM 75x100x12/13	–
10	171.557	1	315 030 00 80	24x52x10 FEFZ	–
12	895.520	2	355 015 01 22	–	–
13	895.555	1	355 015 00 21	–	–
15	a.A.	1	001 074 22 80	–	–
16	716.200	1	000 997 00 40	28x36x2 NBR A	–
17	733.431	2	000 477 31 80	–	–
18	828.890	1	355 201 06 80	–	–
19	344.400	1	003 997 51 46 005 997 00 47	A NBR 42x56x7	–
19	038.660	1	000 997 75 47	B NBR 28x47x10	Mot. 355.910-915 918 961 972 973
19/1	a.A.	1	005 997 11 45	62x68x3 NBR RD	–
19/4	054.003	1	002 997 84 46 005 997 01 47	A NBR 17x35x7	Mot. 355.916 960 962-970 974-984
19/4	047.830	1	000 997 77 47	B NBR 16x35x10	Mot. 355.910-915 918 961 972 973
19/5	773.220	1	000 201 04 63	–	–
19/6	190.608	1	000 201 01 97	–	–
20	577.804	1	000 201 92 19	–	–
25	828.824	6	355 997 00 49	–	–
25/1	–	1	360 203 03 80	–	–
26	895.490	1	355 184 06 80	–	–
27	774.057	1	000 184 65 80	115x125,2x5,1 NBR RD	–
27	777.404	1	000 184 31 80	125x135x5 NBR RD	Mot. 355.911 961 972 973
28	039.511	1	355 010 00 27	–	–
29	759.295	1	917003 026003	–	–
31	–	1	007603 026109	–	–
35	106.909	6	346 017 01 60	1,0 mm	–
35	067.989	6	346 017 02 60	1,5 mm	–
36	776.262	6	016 997 82 48	30,8x38,2x3,7 FPM RD	–
37	175.811	12	352 078 00 80	–	–
38	107.841	1	917003 040008	–	–
50	895.539	1	355 184 05 80	–	Mot. 355.910-915 918 961 972 973 979
50	753.351	2	001 997 62 45	27x33,4x3,2 NBR RD	→ Mot. 529557
50/1	–	1	355 188 01 80	–	–
51	a.A.	1	355 018 02 80	–	–
52	a.A.	1	303 018 00 79	–	–
56	819.573	1	355 077 00 80	–	–
57	038.075	1	009 997 97 46	AS NBR 25x35x7	Mot. 355.984
57	038.490	1	003 997 40 46	B NBR 26x45x10	–