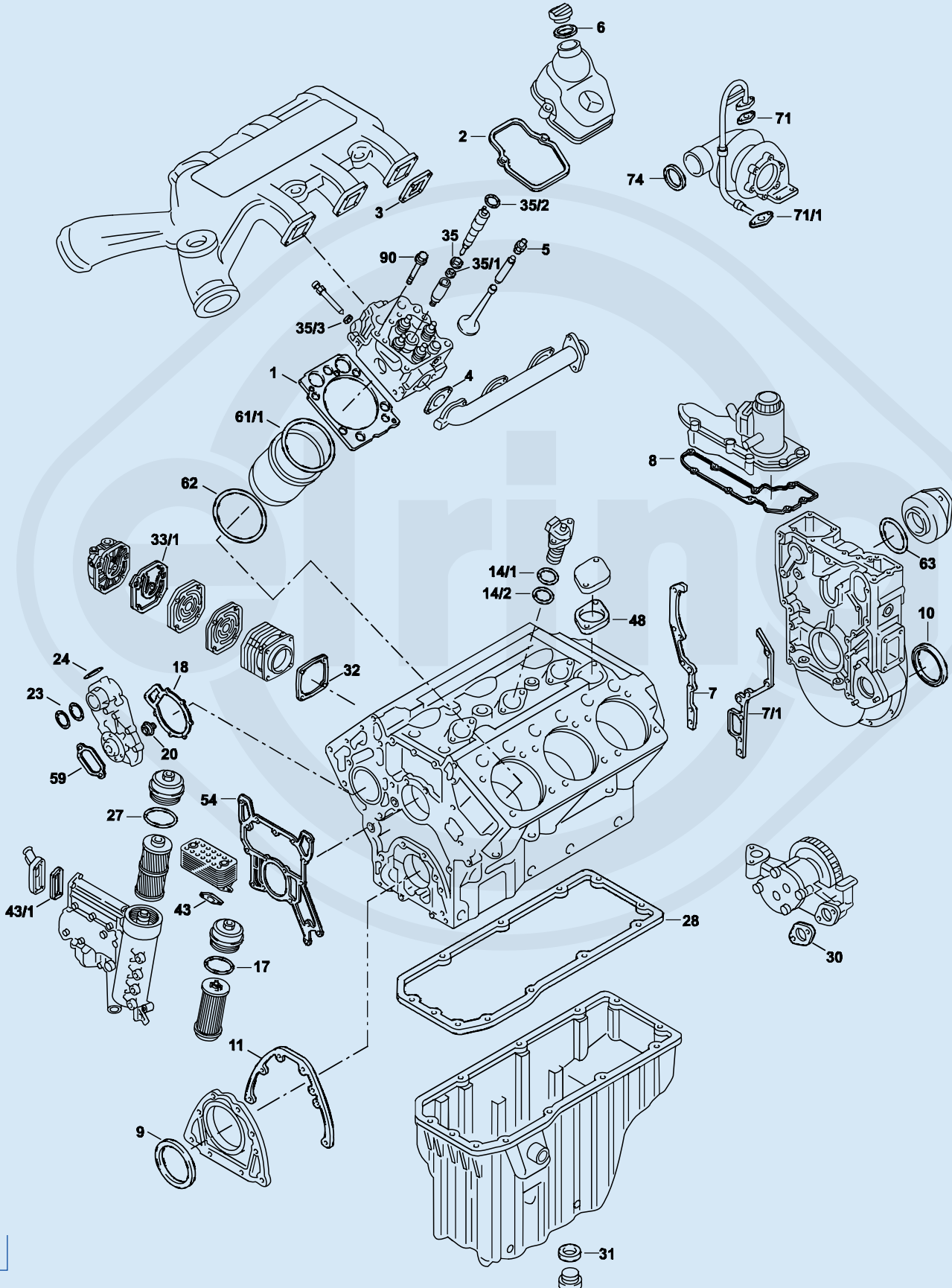


OM 501 A | LA

Mercedes-Benz Motorbaumuster

Mercedes-Benz Engine Model | Modèle de moteur Mercedes-Benz | Modelo



de motor Mercedes-Benz

| Bild-Nr. Fig. No. No d'illustration Nº figura | Elring-Nr. Elring reference Référence Elring Referencia Elring | Stück Pieces Pièces Piezas | Teile-Nr. Part Number Référence Referencia | Bauart Material Abmessung Type Material Dimensions Type matériau dimension Tipo Material Medidas | Bemerkung Remarks Remarque Notas |
|--|---|---|---|---|---|
| S * | 151.781 | 1 | – | – | → Mot. 012090 |
| S * | 010.241 | 1 | – | – | Mot. 012091 → 084423 |
| ZLBS | 712.530 | 6 | – | – | – |
| ES | 447.214 | 6 | 541 010 11 20 | – | → Mot. 084423 incl. 862.562 |
| ES | 447.215 | 6 | 541 010 51 20 | – | → Mot. 084423 incl. 052.480 |
| ES | 711.442 | 6 | 541 010 25 20 | – | Mot. 084424 → 155295 incl. 862.562 |
| ES | 711.444 | 6 | 541 010 52 20 | – | Mot. 084424 → 155295 incl. 052.480 |
| ES | 001.830 | 6 | 457 010 42 20 | – | Mot. 155296 → incl. 862.562 |
| ES | 001.832 | 6 | 457 010 62 20 | – | Mot. 155296 → incl. 052.480 |
| CS * | 447.221 | 1 | 541 010 02 05 | – | → Mot. 012090 |
| CS * | 470.311 | 1 | 541 010 05 05 | – | Mot. 012091 → |
| WPS | 469.701 | 1 | 542 200 07 01 | – | – |
| SZ | 633.360 | 1 | 541 010 09 33 | – | Steuergehäusesatz Timing cover set set pour carter de distribution Juego cuerpo de mando |
| SZ | 066.460 | 6 | 906 017 02 60 | – | O-Ringe für Zylinderkopf O-ring set for cylinder head joint torique pour culasse Juntas tóricas para culatas |
| ZKS | 060.220 | 6 | – | – | – |
| 1 | 862.562 | 6 | 541 016 09 20 | – | – |
| 1 | 052.480 | 6 | 541 016 11 20 | – | – |
| 2 | 060.560 | 6 | 541 016 03 21 | – | → Mot. 084423 |
| 2 | 711.420 | 6 | 541 016 04 21 | – | Mot. 084424 → 155295 |
| 2 | 001.790 | 6 | 457 016 01 21 | – | Mot. 155296 → |
| 3 | 470.290 | 6 | 541 098 04 80 | – | – |
| 4 | 432.040 | 6 | 541 142 01 80 | – | – |
| 5 | 814.882 | 24 | 000 053 35 58 | 9x12/15,4x11 FPM PR | – |
| 6 | a.A. | 1 | 111 018 00 80 | 47,5x59x2,3 HNBR A | – |
| 7 | 133.320 | 1 | 541 015 11 80 | – | – |
| 7/1 | 133.330 | 1 | 541 015 12 80 | – | – |
| 8 | 470.300 | 1 | 541 015 01 60 | – | → Mot. 089131 |
| 8 | – | 1 | 541 015 13 80 | – | Mot. 089132 → |
| 9 | 524.973 | 1 | 014 997 46 47 | AW/BS RD FPM 105x130x12 | – |
| 10 | 562.920 | 1 | 013 997 14 47 | AW/BS LD FPM 120x140x13 | – |
| 11 | 756.768 | 1 | 541 011 00 80 | EWP | – |
| 11 | 075.912 | 1 | 541 011 01 80 | Metaloseal | – |
| 14/1 | 152.610 | 6 | 023 997 64 48 | 47x52x2,5 FPM RD | – |
| 14/2 | 152.630 | 6 | 023 997 65 48 | 45x50x2,5 FPM RD | – |
| 17 | – | 1 | 022 997 89 48 | – | – |
| 18 | a.A. | 1 | 542 201 01 80 | – | – |
| 20 | 577.804 | 1 | 000 201 92 19 | – | – |
| 23 | a.A. | 2 | 024 997 28 48 | – | – |
| 24 | 201.240 | 1 | 942 501 00 80 | – | – |
| 27 | – | 1 | 021 997 27 48 | – | – |
| 28 | 445.980 | 1 | 541 014 03 22 | – | → Mot. 012090 |
| 28 | 470.182 | 1 | 541 014 05 22 | – | Mot. 012091 → |
| 30 | 759.309 | 1 | 917003 036003 | – | – |
| 31 | 125.105 | 1 | 007603 020103 | 20x26x1,5 CU A | – |
| 31 | 133.400 | 1 | 007603 026101 | 26x32x2 CU A | – |
| 32 | 452.021 | 2 | 541 131 07 80 | – | – |
| 33/1 | 401.651 | 1 | 541 131 09 80 | – | – |
| 35 | 124.870 | 6 | 906 017 02 60 | 7x15,1x1,5 CU PR | – |
| 35/1 | a.A. | 6 | 541 997 07 45 | 25x32,4x3,7 FPM RD | – |
| 35/2 | a.A. | 6 | 541 997 05 45 | 20,9x3 FPM RD | – |
| 35/3 | a.A. | 6 | 541 997 06 45 | 11x3 FPM RD | – |