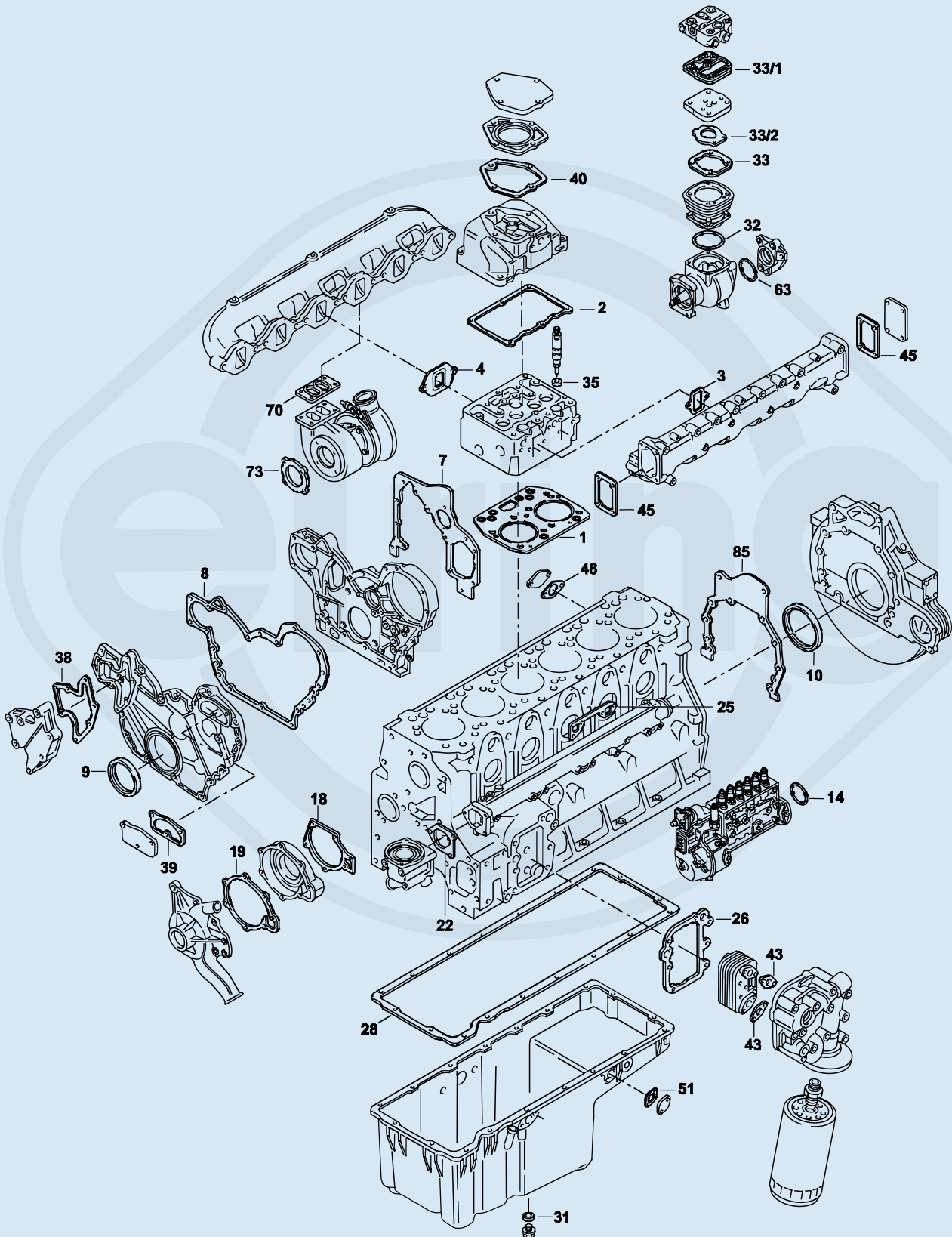


MOT. D 0826 LF I GF  
MOT. D 0836

D 0826 I 0836

MAN Motorbaumuster

MAN Engine Model I Modèle de moteur MAN I Modello de motores MAN



<b>Bild-Nr.</b> <b>Fig. No.</b> <b>No d'illustration</b> <b>Nº figura</b>	<b>Elring-Nr.</b> <b>Elring reference</b> <b>Référence Elring</b> <b>Referencia Elring</b>	<b>Stück</b> <b>Pieces</b> <b>Pièces</b> <b>Piezas</b>	<b>Teile-Nr.</b> <b>Part Number</b> <b>Référence</b> <b>Referencia</b>	<b>Bauart   Material   Abmessung</b> <b>Type   Material   Dimensions</b> <b>Type   matériau   dimension</b> <b>Tipo   Material   Medidas</b>	<b>Bemerkung</b> <b>Remarks</b> <b>Remarque</b> <b>Notas</b>
S *	921.742	1	51.00900.6532	–	D 0826 LF
S *	750.027	1	51.00900.6531	–	D 0826 GF
ES	636.320	3	51.00900.6628	–	D 0836
ES	835.641	3	51.00900.6550	–	D 0826
ZKS	820.245	3	–	–	–
1	845.710	3	51.03901.0379	–	–
2	636.310	3	51.03905.0155	Metaloseal	D 0836
2	835.634	3	51.03905.0148	EWP	D 0826
3	639.010	6	51.08902.0179	–	–
4	277.762	6	51.08901.0027	–	–
7	895.289	1	51.01903.0305	–	–
8	758.604	1	51.01903.0246	–	–
9	749.983	1	51.01510.0237	66x90x12 BS LA RD FPM	–
10	323.772	1	51.01510.0151	110x130x13 BS SP LD FPM	–
14	518.158	1	51.96501.0415	78x84x3 FPM RD	–
18	895.360	1	51.06901.0118	–	–
19	895.378	1	51.06901.0119	–	–
22	895.386	1	51.06904.0023	–	–
25	811.930	3	51.06903.0030	–	–
26	811.904	1	51.05901.0102	–	–
28/1	845.400	1	51.05904.0195	Elastomer   Rubber   Caoutchouc   Goma	Blechölwanne   stamped oil pan   carter d'huile en tôle   Cârter de aceite de chapa
28/2	895.319	1	51.05904.0139	EWP	Alu-Gussölwanne   aluminum oil pan   carter d'huile en alu   Cârter de aceite de aluminio
31	a.A.	1	–	ME	Blechölwanne   stamped oil pan   carter d'huile en tôle   Cârter de aceite de chapa
31	122.904	1	06.56190.0713	18x24x1,5 CU A	Alu-Gussölwanne   aluminum oil pan   carter d'huile en alu   Cârter de aceite de aluminio
32	597.791	1	81.96503.0018	94x100x3 ACM RD	–
33	776.085	1	81.54901.0084	–	1-Cyl. Luftpresseur   compressor   compresseur   compresor   300 cm <sup>3</sup>
33/1	a.A.	1	81.54901.0102	–	1-Cyl. Luftpresseur   compressor   compresseur   compresor   300 cm <sup>3</sup>
33/2	061.440	1	81.54116.0002	–	–
35	296.660	6	51.98701.0111	7,3 x 15 x 1 CU A	–
38	811.883	1	51.01903.0295	–	–
39	811.876	1	51.01903.0294	–	–
40	834.688	2	51.03905.0130	–	–
43	896.489	2	51.96601.0546	–	–
45	414.030	1	51.08902.0139	–	–
48	895.407	1	51.96601.0474	–	–
51	922.138	1	06.56259.0033	–	–
63	127.420	1	06.56342.4242	88x94x3 NBR RD	–
70	314.757	1	51.09901.0035	–	–
73	891.207	1	51.09901.0036	–	–
85	925.055	1	51.01903.0273	–	–