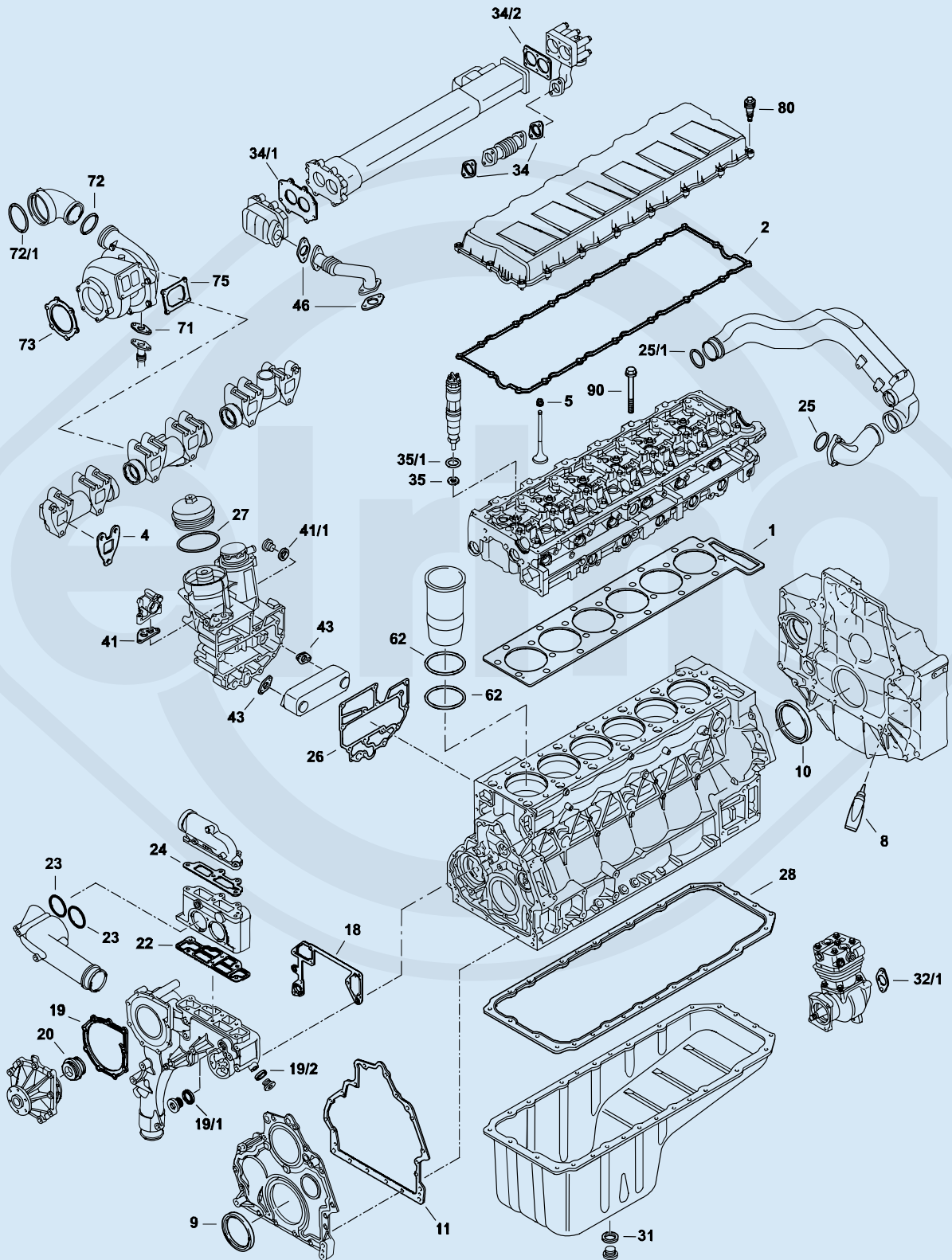


D 2066

MAN Motorbaumuster

MAN Engine Model | Modèle de moteur MAN | Modello de motores MAN



<b>Bild-Nr.</b> <b>Fig. No.</b> <b>No d'illustration</b> <b>Nº figura</b>	<b>Elring-Nr.</b> <b>Elring reference</b> <b>Référence Elring</b> <b>Referencia Elring</b>	<b>Stück</b> <b>Pieces</b> <b>Pièces</b> <b>Piezas</b>	<b>Teile-Nr.</b> <b>Part Number</b> <b>Référence</b> <b>Referencia</b>	<b>Bauart   Material   Abmessung</b> <b>Type   Material   Dimensions</b> <b>Type   matériau   dimension</b> <b>Tipo   Material   Medidas</b>	<b>Bemerkung</b> <b>Remarks</b> <b>Remarque</b> <b>Notas</b>
ZKHS	136.890	1	–	–	–
ZKS	124.790	1	–	–	–
1	021.260	1	51.03901.0385	–	–
2	141.520	1	51.03905.0177	–	–
4	008.761	6	51.08901.0170	–	–
5	814.882	24	51.04902.0033	9x12/15,4x11 FPM PR	–
8	610.020	1	04.10394.9272	Dirko grau/grey 310 ml	–
9	158.510	1	51.01510.0273	–	–
10	–	1	51.01510.0272	–	–
11	021.430	1	51.01905.0091	–	–
18	019.690	1	51.06903.0061	–	–
19	021.250	1	51.06901.0192	–	–
19/1	153.280	1	06.56631.0111	–	–
19/2	153.270	1	06.56631.0106	–	–
20	–	1	51.06520.0085	–	–
22	021.410	1	51.06904.0042	–	–
23	762.610	2	06.56341.2122	60x4 NBR RD	–
24	021.380	1	51.06904.0039	–	–
25	–	1	06.56936.2423	60x3 FPM RD	–
25/1	–	1	06.56936.0071	56x4 FPM RD	–
26	021.270	1	51.05901.0144	–	–
28	–	1	51.15904.0202	–	–
31	153.260	1	06.56631.0110	–	–
32/1	–	1	51.96601.0548	–	–
34	021.370	2	51.08901.0174	–	–
34/1	023.030	1	51.08901.0188	–	–
34/2	008.790	1	51.08901.0172	–	–
43	759.295	2	06.56254.2203	–	–
46	747.050	2	51.08901.0120	–	–
62	152.230	12	51.96501.0534	–	–
71	303.421	1	51.96601.0576	–	–
73	155.570	1	51.08901.0209	–	–
75	139.090	1	51.08901.0182	–	–
80	006.420	18	51.96210.0080	–	–
90	a.A.	26	51.90490.0078	–	–