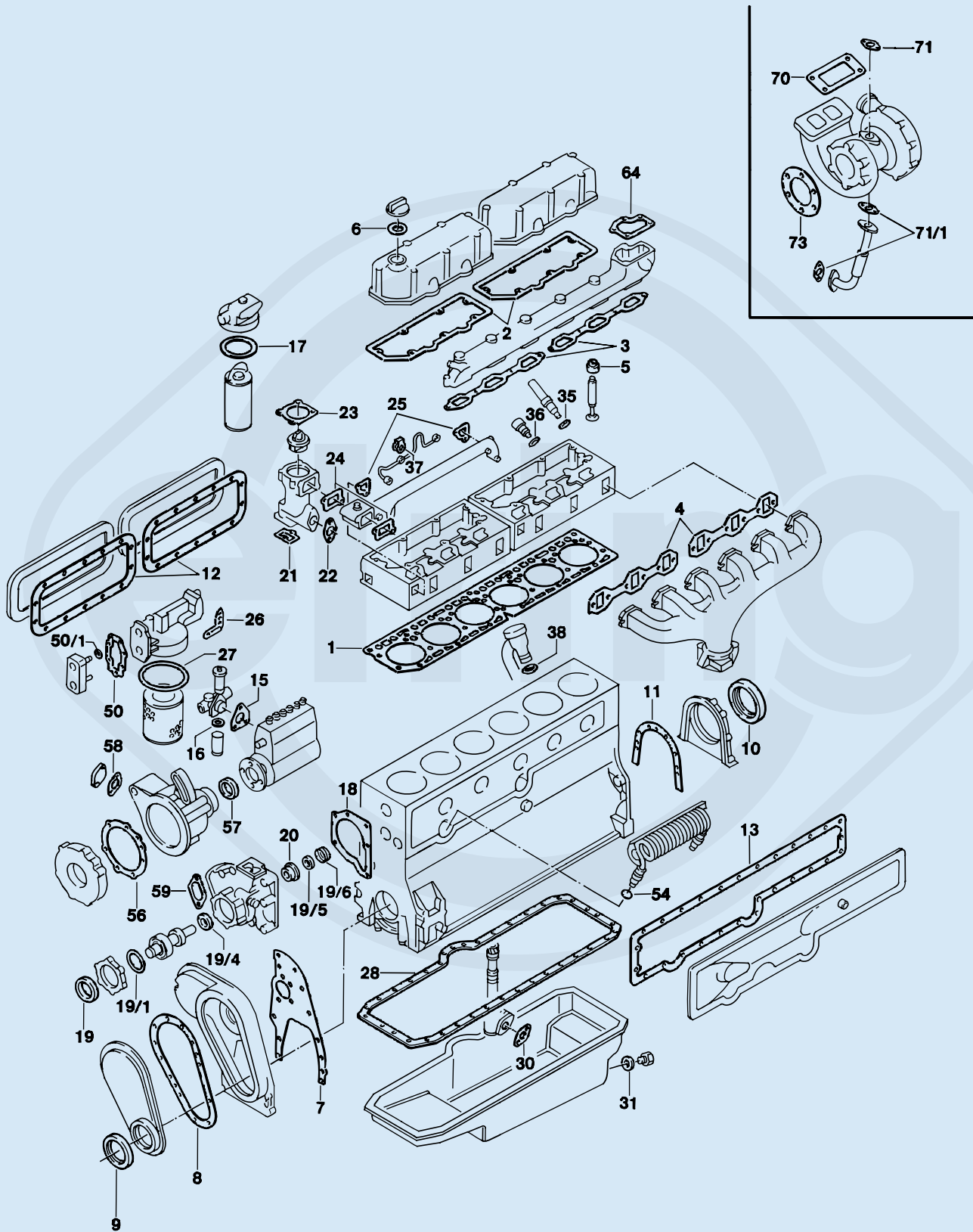


OM 360 A

Mercedes-Benz Motorbaumuster

Mercedes-Benz Engine Model I Modèle de moteur Mercedes-Benz I Modelo



## de motor Mercedes-Benz

<b>Bild-Nr.</b> <b>Fig. No.</b> <b>No d'illustration</b> <b>Nº figura</b>	<b>Elring-Nr.</b> <b>Elring reference</b> <b>Référence Elring</b> <b>Referencia Elring</b>	<b>Stück</b> <b>Pieces</b> <b>Pièces</b> <b>Piezas</b>	<b>Teile-Nr.</b> <b>Part Number</b> <b>Référence</b> <b>Referencia</b>	<b>Bauart   Material   Abmessung</b> <b>Type   Material   Dimensions</b> <b>Type   matériau   dimension</b> <b>Tipo   Material   Medidas</b>	<b>Bemerkung</b> <b>Remarks</b> <b>Remarque</b> <b>Notas</b>
ES	279.308	1	360 010 33 20	–	–
1	255.972	1	360 016 03 20	–	–
2	777.766	2	360 016 02 21	–	–
3	775.517	2	360 141 01 80	–	–
4	309.052	2	360 142 03 80	–	–
5	468.045	12	360 053 00 96	10x14,6/19x14 ACM PR	–
6	–	1	000 018 01 80	–	Mot. 108461 →
7	a.A.	1	360 015 04 80	–	–
8	834.769	1	360 015 01 20	–	–
9	525.316	1	011 997 56 47	75x100x12/13 BS RD FPM	–
10	316.385	1	004 997 93 47	125x160x18 BS LD FPM	–
11	a.A.	1	360 015 03 80	–	–
12	828.688	2	360 015 02 22	–	–
13	811.793	1	360 018 02 80	–	–
15	a.A.	1	001 074 22 80	–	–
16	716.200	1	000 997 00 40	28x36x2 NBR A	–
17	733.431	1	000 477 31 80	–	–
17	731.269	1	000 477 35 80	–	–
18	–	1	360 201 03 80	–	–
19	344.400	1	003 997 51 46 005 997 00 47	A NBR 42x56x7	–
19/1	a.A.	1	005 997 11 45	62x68x3 NBR RD	–
19/4	054.003	1	002 997 84 46 005 997 01 47	A NBR 17x35x7	–
19/5	a.A.	1	000 201 04 63	–	–
19/6	190.608	1	000 201 01 97	–	–
20	577.804	1	000 201 92 19	–	–
21	777.782	1	352 203 23 80	–	–
22	775.673	1	917003 022003	–	–
23	777.811	1	352 203 22 80	–	–
24	777.803	2	352 203 24 80	–	–
25	a.A.	2	360 203 00 80	–	–
26	a.A.	1	366 184 00 80	–	–
27	780.103	1	008 997 70 45	134x142x4 NBR RD	–
28	819.612	1	360 014 03 22	–	–
30	819.603	1	360 186 00 80	–	–
31	133.051	1	007603 026104	26x31x2 DIN 7603 CU A	–
35	106.909	6	346 017 01 60	1,0 mm	–
35	067.989	6	346 017 02 60	1,5 mm	–
36	776.262	6	016 997 82 48	30,8x38,2x3,7 FPM RD	–
37	175.811	6	352 078 00 80	–	–
38	a.A.	1	000 997 13 48	–	–
50	834.637	1	355 188 01 80	–	–
50/1	777.846	1	364 184 03 80	–	–
54	831.166	2	360 997 92 45	24,6x31,6x3,5 NBR RD	–
56	819.573	1	355 077 00 80	–	–
57	038.490	1	003 997 40 46	B NBR 26x45x10	–
58	a.A.	1	355 075 00 80	–	–
59	811.769	1	360 201 01 80	–	–
70	104.132	1	355 142 01 80	–	–
71	756.873	1	442 187 01 80	–	–
71/1	756.865	1	442 187 00 80	–	–
73	283.967	1	427 144 01 80	–	–