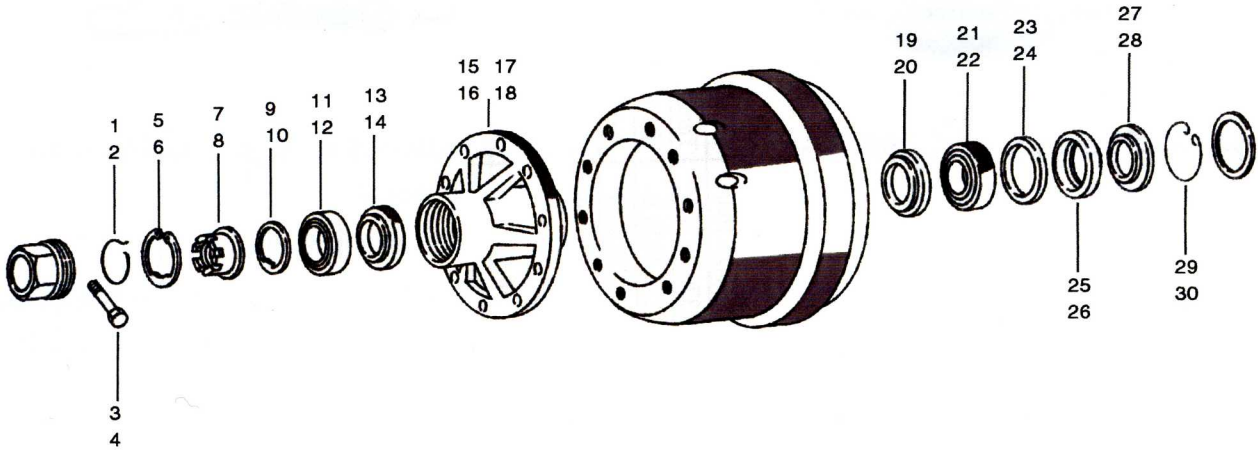


mansons

BPW

**SUSPENSION
BRAKE & AXLE
components**

PARTS SUITABLE FOR BPW ECO 9-12 TON HUB



Sr.No.	MANSONS	OEM	DESCRIPTION
1	CR13	03.188.03.06.0	Spring ring 54x2mm-9 ton
2	CR14	03.188.04.08.0	Spring ring 66x2mm-12 ton
3	300.000	03.084.71.17.0	Pin 8x35mm-9 ton
4	300.000	03.084.71.17.0	Pin 8x35mm-12 ton
5	CR15	02.5606.12.90	Circlip 112x4x472mm-9 ton
6	CR16	02.5606.22.90	Circlip 122x4x472mm-12 ton
7	300.001	03.266.46.02.0	Castle nut M42x2x110 SW65-9 ton
8	300.002	03.266.47.03.0	Castle nut M52x2x120 SW80-12 ton
9	LW114	03.320.73.13.0	Lockwasher 9 ton 43x61x5.8mm
10	LW115	03.320.64.01.0	Lockwasher 12 ton 53x76x5.8mm
11	300.003	02.6406.50.00	Bearing outer 9 ton 32310
12	300.004	02.6407.65.00	Bearing outer 12 ton 32313
13	300.005	03.370.25.16.0	Thrust washer 9 on 54x98x10mm-9 ton
14	300.006	03.370.26.22.0	Thrust washer 12 ton 68x108x9.5mm-12 ton
15	300.007	03.272.30.81.0	Hub HR series-9 ton
16	300.008	03.272.27.41.0	Hub NR series-9 ton
17	300.009	03.272.48.78.0	Hub HR series-12 ton
18	300.010	03.272.44.34.0	Hub NR series-12 ton
19	300.011	03.010.63.33.0	Bearing dust cover 9 ton 84x129x5.5mm
20	300.012	03.010.93.34.0	Bearing dust cover 12 ton 94x149x5.5mm
21	300.013	02.6408.80.00	Bearing inner 9 ton 33116
22	300.014	02.6408.90.00	Bearing inner 12 ton 33118
23	300.015	02.5683.62.00	Spacer ring 9 ton 131x140x12.5mm
24	300.016	02.5683.63.00	Spacer ring 12 ton 151x160x12.5mm
25	GR130	02.5664.57.00	Oil seal 115x136x7x8mm-9 ton
26	GR131	02.5664.58.00	Oil seal 135x156.70x7x8mm-12 ton
27	300.017	03.370.07.60.0	Thrust washer 86x115x139x22mm
28	300.018	03.370.07.62.0	Thrust washer 96x135x159x22mm
29	300.019	02.5606.40.90	Circlip 9 ton 140x4x472mm
30	300.020	02.5606.60.90	Circlip 12 ton 160x4x472mm

