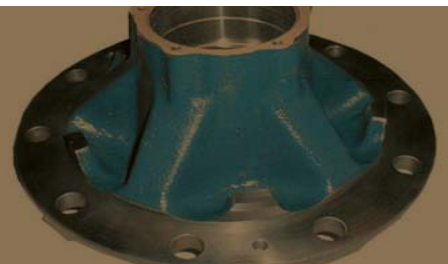
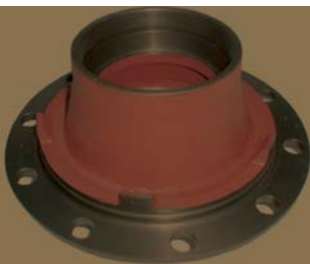


HUB & HUB ASSEMBLIES





**SALES
&
CUSTOMER SERVICE**

Tel No : +91-22-2742 7206 / 2742 7207

Fax No : +91-22-2742 2155

Email : sales@mansonsindia.com

PLANT

146/7, J.C.I.E., Kamothe, Panvel,

New Bombay - 410209, India

Tel No : +91-22-2742 3014 / 2742 7206

Fax No : +91-22-2742 2155

CORPORATE OFFICE

Bungalow # 8, Garden Homes, St, Vincent

De Paul Society, Khar Danda Rd., Khar (W),

Mumbai - 400052 India.

Tel No : +91-22-2604 3527 / 2605 5902

Fax No : +91-22-2604 3379

WEBSITE

www.mansonsindia.com

WARRANTY COVERAGE

Mansons parts are warranted against defects in material and workmanship, under normal use and service, for the life of the vehicle on which the part was originally installed for the period of 1 year from date of invoice. The warranty is not transferable and proof of purchase is required. Mansons will not be responsible for any labor or freight charges involved in the replacement of any product. Mansons shall be entitled to make its own inspection to determine the validity of the warranty claim. Mansons shall not be liable nor warrant the product in the event of alteration, misuse, overload, negligence or damage caused by others.

BUYERS RESPONSIBILITIES

Buyer is responsible for proper installation, operation, and maintenance as specified in our publication on Mansons International systems and for using the product in recommended application within rated capacities.

CLAIMS

Buyer is required to obtain prior authorization from us or an authorized customer service representative before replacing or returning any part. Buyer may be required to make the product or part claimed to be covered by this warranty available to us and/or returned to us at buyers expense for review & evaluation. Buyer will also need to provide the following information: product model, vehicle mileage, installation date, and product serial number as shown on the serial tag installed on the product, and application and use information.

EXCLUSION & LIMITATIONS

This warranty does not cover any Mansons part that is altered without written permission or fails, malfunctions or is damaged as a result of accident, abuse, or improper installation, maintenance or use.

JURISDICTION

All claims are subject to Mumbai, India Jurisdiction.

THIS WARRANTY IS OUR SOLE WARRANTY IN REGARD TO COVER MANSONS PART. WE MAKE NO OTHER WARRANTIES, EXPRESS OR IMPLIED, OR OF MERCHANTABILITY OR FITNESS FOR A PARTICULAR PURPOSE IN NO EVENT SHALL WE BE RESPONSIBLE FOR SPECIAL, INCIDENTAL, OR CONSEQUENTIAL DAMAGES OF ANY KIND.

MANSONS INTERNATIONAL PRIVATE LIMITED

Head Office : 146/7, J.C.I.E., Kamothe, Panvel,

Navi Mumbai - 410209, India

Tel No : +91-22-2742 3014 / 2742 7206

Fax No : +91-22-2742 2155

Email : sales@mansonsindia.com

Website : www.mansonsindia.com

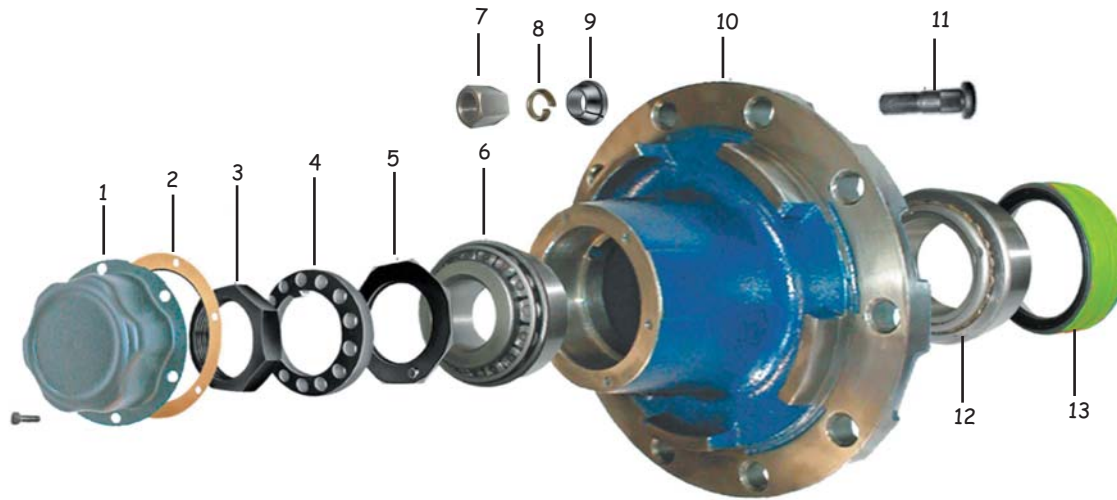


INDEX

INDEX BY MANSONS REFERENCE

SR. #	MANSONS	BRAND	PAGE
1	790.011D	MERITOR TM AXLES	4
2	790.012	MERITOR TM AXLES	5
3	790.004D	MERITOR TE AXLES	6
4	790.000D	MERITOR LM AXLES	7
5	150.018	FRUEHAUF AXLES PROPER P,PS & PSL AXLES	8
6	901.008D	YORK AXLES	9
7	790.157D	MERITOR TA D DUCCO AXLES	10

MANUFACTURER'S NAMES AND PART NUMBERS IN THIS CATALOGUE ARE USED FOR CROSS REFERENCE PURPOSES ONLY
AND DO NOT IMPLY ANYTHING ABOUT THE ORIGIN OR MANUFACTURER OF PRODUCT



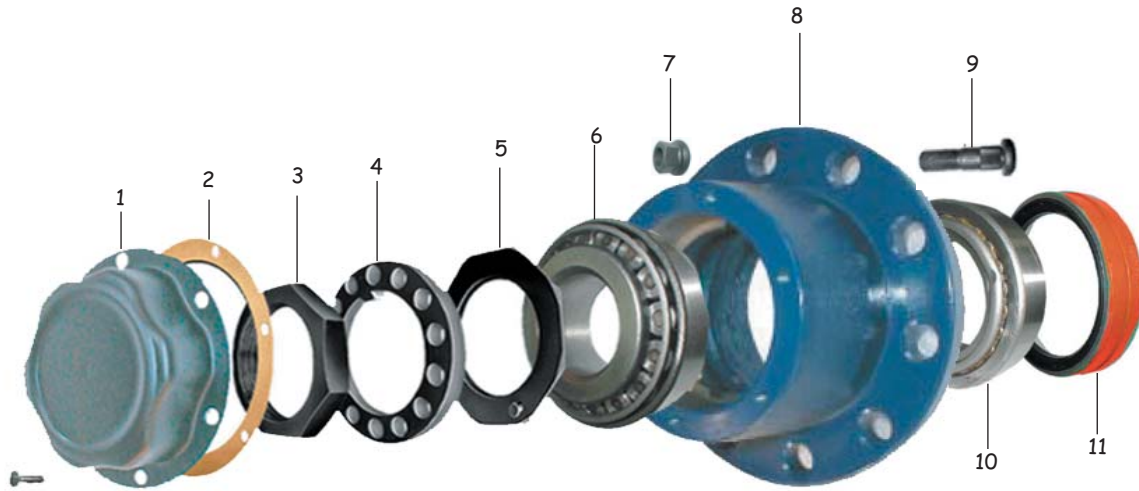
mansons reference **790.011D**

application Meritor TM axles

Sr. No.	Part No.	OEM Ref.	Description	qty
1	790.155	21202627	Hub Cap	1
2	600.056	21211378	Gasket	1
3	LN1001	21210819	End nut	1
4	WA64	21020818	Lock washer	1
5	AX1398	21205571	Adjustment nut	1
6	300.004	99041045B	Outer bearing	1
7	WN311	21006511	Wheel nut	10
8	790.040	21006512	Wheel cone, spring	10
9	WC01	21019026	Washer, wheel cone	10
10	790.001	21203219	Hub cast & machined	1
11	810.000	21022167	Wheel bolt	10
12	300.042	99041035B	Inner bearing	1
13	GR100	21200321	Seal hub	1



AVAILABLE IN SEVERAL ASSEMBLY OPTIONS, PLEASE EMAIL US.



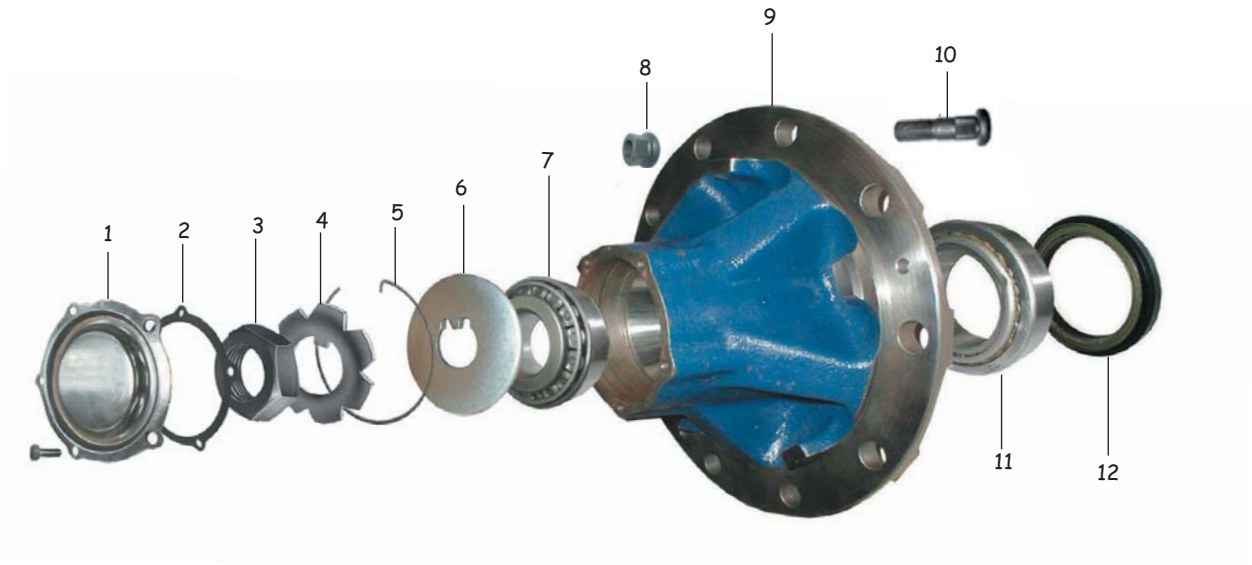
mansons reference **790.012**

application Meritor TM axles

Sr. No.	Part No.	OEM Ref.	Description	qty
1	790.155	21202627	Hub Cap	1
2	600.056	21211378	Gasket	1
3	LN1001	21210819	End nut	1
4	WA64	21020818	Lock washer	1
5	AX1398	21205571	Adjustment nut	1
6	300.004	99041045B (33213)	Outer bearing	1
7	WN308	21218643	Nut, floating collar	10
8	790.002	21203219	Hub cast & machined	1
9	810.000	21022167	Wheel bolt	10
10	300.042	99041035B (218248/218210)	Inner bearing	1
11	GR100	21200321B	Seal hub	1



AVAILABLE IN SEVERAL ASSEMBLY OPTIONS, PLEASE EMAIL US.



mansons reference **790.004D**

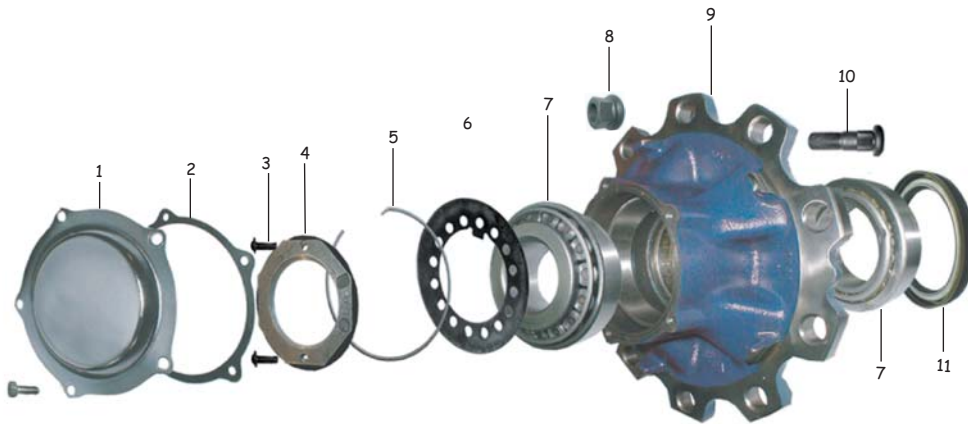
application Meritor TE axles

Sr. No.	Part No.	OEM Ref.	Description	qty
1	800.003	21220727	Hub Cap	1
2	CSB16	21223797	Gasket	1
3	LN1000	21220759	End nut	1
4	WA80	21221061	Lock washer	1
5	800.005	21223127	Retaining clip	1
6	WA61	21220726	Lock washer	1
7	300.003	990410618	Outer bearing	1
8	WN308	21218643	Nut, floating collar	10
9	790.004A	21219784S	Hub cast & machined	1
10	810.001	21220132	Wheel bolt	10
11	300.013	99041067	Inner bearing	1
12	GR132	21220158	Seal hub	1



AVAILABLE IN SEVERAL ASSEMBLY OPTIONS, PLEASE EMAIL US.

HUB & HUB ASSEMBLIES

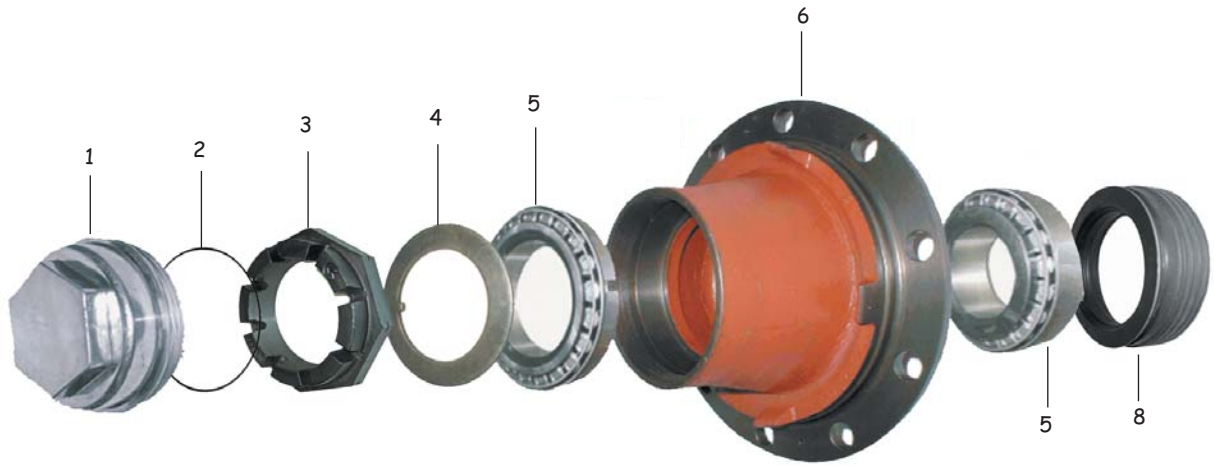


mansons reference **790.000D**
application Meritor LM axles

Sr. No.	Part No.	OEM Ref.	Description	qty
1	800.002	21224673	Hub Cap	1
2	GR203	21224759	Gasket	1
3	780.004	21224864	Set screw	2
4	780.003	21224762	Pinch nut	1
5	800.004	21224865	Retaining clip	1
6	WA69	21224669	Washer axle end	1
7	920.002	99041075	Bearing	2
8	WN308	21218643	Nut, floating collar	10
9	790.000A	-	Hub cast & machined	1
10	810.001	21220132	Wheel bolt	10
11	GR167	21200321A	Seal hub	1



AVAILABLE IN SEVERAL ASSEMBLY OPTIONS, PLEASE EMAIL US.



mansons reference **150.018**

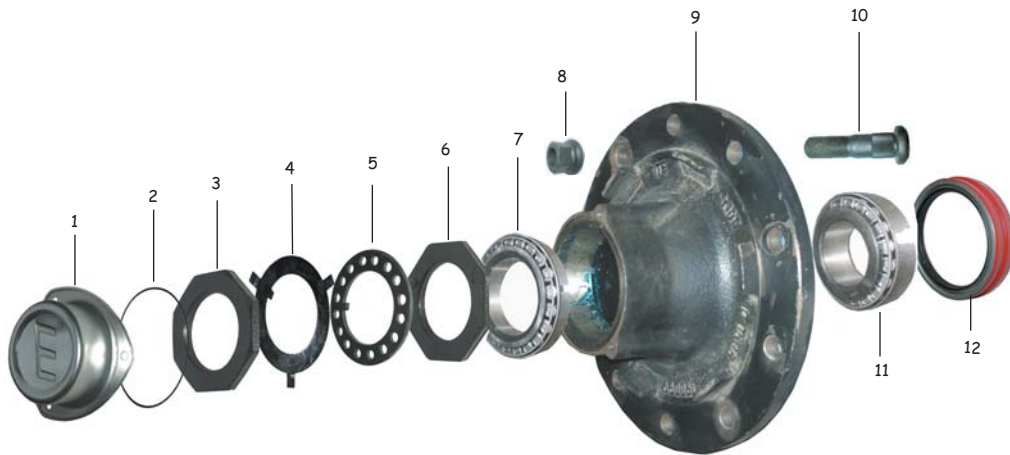
application Fruehauf proper P, PS & PSL axles

Sr. No.	Part No.	OEM No.	Description	qty
1	150.018	AJA0577001	Hub Cap	1
2	OR01	ESP 10/02/004	O ring	1
3	M7568M	AJA 0755/001	Nut, axle end	1
4	M7569	AJA 0407/001	Washer spindle	1
5	300.039	AJA 0813/001	Wheel bearing	1
6		(518445/518410)		
7	150.017		Hub cast & machined	1
8	GR123	AJA 0725/001	Seal hub	1



AVAILABLE IN SEVERAL ASSEMBLY OPTIONS, PLEASE EMAIL US.

HUB & HUB ASSEMBLIES

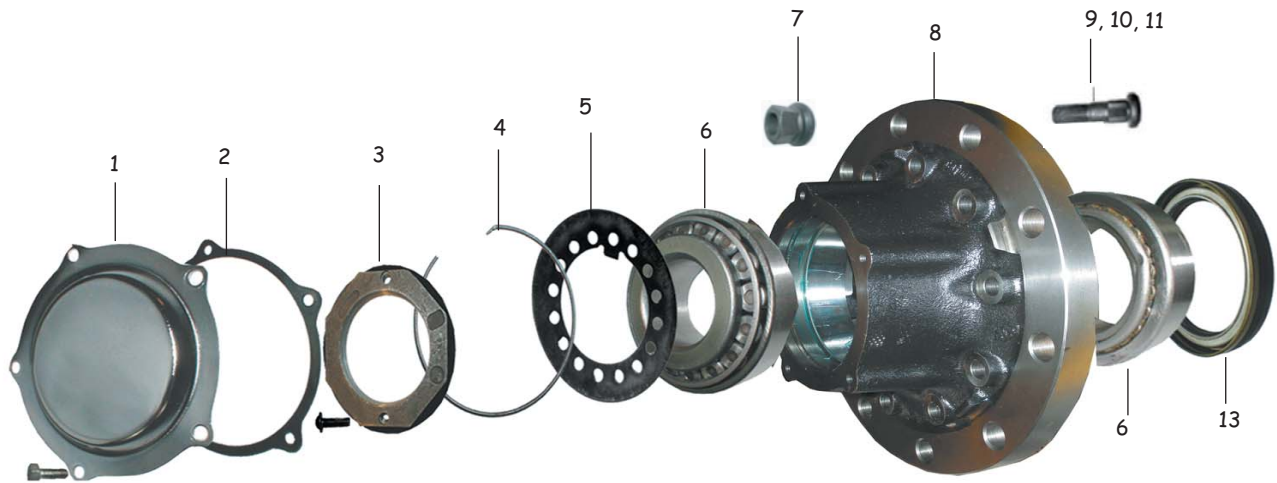


mansons reference **901.008D**
application York axles

Sr. No.	Part No.	OEM Ref.	Description	qty
1	901.003	789215	Hub Cap	1
2	901.004	790.224	O ring	1
3	AX1398	502462	Spindle outer lock nut	1
4	780.033	790044	Tab lock washer	1
5	AX1399	501123	Spindle lock washer	1
6	AX1398	502461	Spindle nut	1
7	300.004	786116	Bearing outer	1
8	DC100N	502917	Nut, floating collar	10
9	901.008	790101	Hub cast & machined	1
10	DC100S	786111	Wheel bolt	10
11	300.042	786117	Bearing inner	1
12	GR100A	786114	Seal hub	1



AVAILABLE IN SEVERAL ASSEMBLY OPTIONS, PLEASE EMAIL US.



mansons reference **790.157D**

application Meritor TA D Duco axles

Sr. No.	Part No.	OEM No.	Description	qty
1	780.014	21226038	Hub Cap	1
2	780.015	21226119	Gasket	1
3	780.016	21226003	Spindle nut	1
4	780.017	21226117	Retaining clip	1
5	780.018	21226090	Lock washer	1
6	300.042	99041035	Bearing	2
7	WN308	21218643	Wheel nut	10
8	790.157	14226121	Hub cast & machined	1
9	033.810.002	21226690	Wheel bolt M22x1.5 L=78	10
10	033.810.003	21226705	Wheel bolt M22x1.5 L=83	10
11	810.004	21226691	Wheel bolt M22x1.5 L=100	10
12	GR167	21200321A	Seal hub	1



AVAILABLE IN SEVERAL ASSEMBLY OPTIONS, PLEASE EMAIL US.



OFFICE :

Bungalow # 8, Garden Homes, St Vincent De Paul Society,
Khar Danda Rd., Khar (W), Mumbai - 400052, India

Tel No: +9122-26043527 / +9122 26059602 • Fax: +9122 26043379

FACTORY :

146-7, J.C.I.E., Kamothe, Panvel New Bombay - 410209, India.

Tel No: +9122-27420314 / +9122 2747206 • Fax: +9122 27422155

sales@mansonsindia.com • www.mansonsindia.com