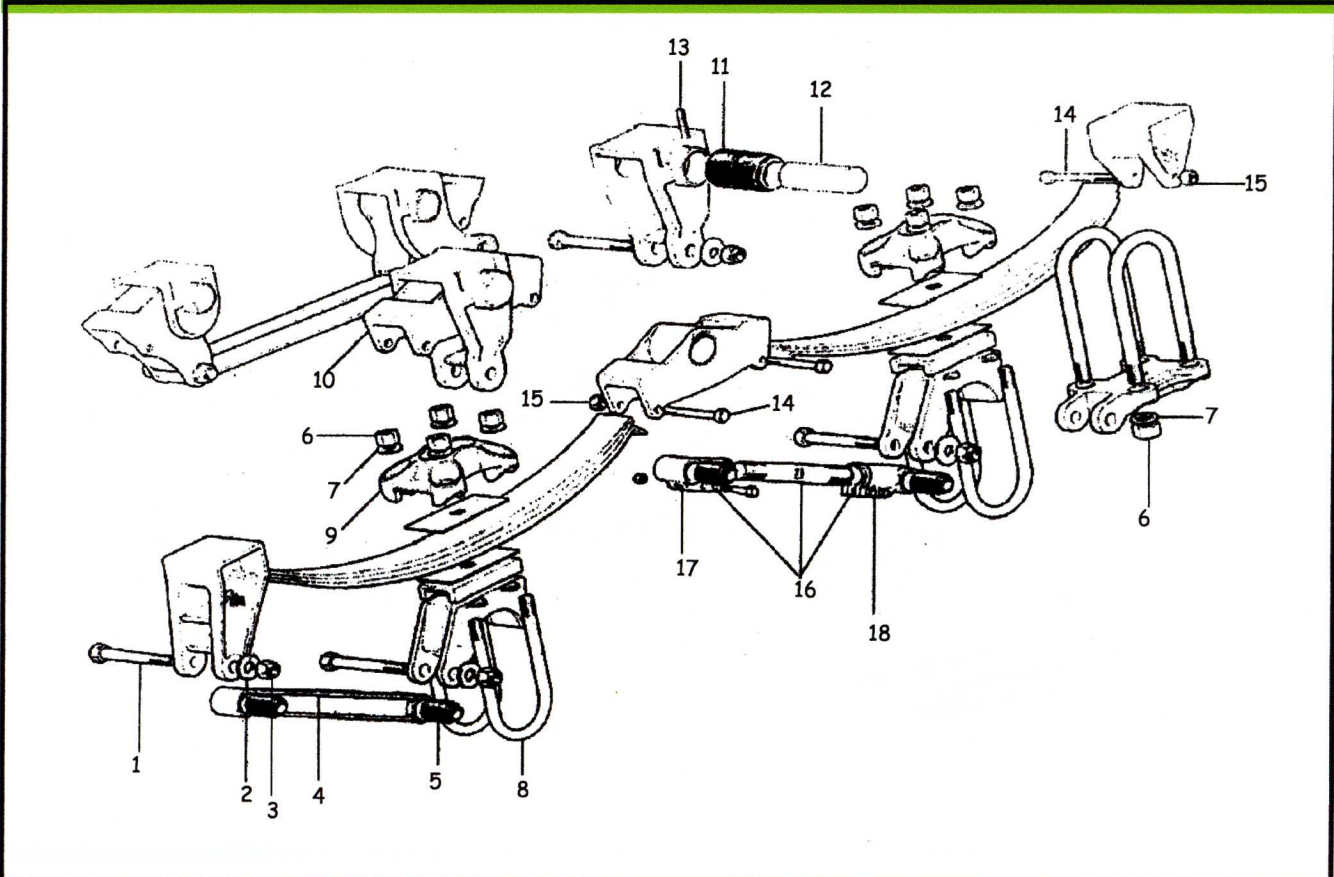


MANSON'S

MERITOR(ROR)

**SUSPENSION
BRAKE & AXLE
components**

'M' SERIES SUSPENSION COMPONENTS



Sr.No.	MANSONS	OEM	DESCRIPTION
1	TRS4716	21015646	Torque Arm Bolt
2	WA57	21206539	Torque Arm Washer
3	NLN78	21016115	Torque Arm Nut -Nylock
4	TR017	21016343	Rigid Torque Arm -464mm CD
5	TRB6004	21011745	Torque Arm Bush
6	WN312	21006511	'U' Bolt Nut -7/8 "Imperial"
6	WN311	NA	'U' Bolt Nut -M22x1.5P Metric
7	WA57	21206539	'U' Bolt Washer
8	800.026	21206225	'U' Bolt 15 "Imperial"
8	800.027	NA	'U' Bolt 16 "Imperial"
8	800.028	NA	'U' Bolt 18 "Imperial"
9	MEA27032	21206056	Top Plate (Standard Application)
10	EQ025	19016378A	Equalizer C/W Bush
11	TRB5023	21011746	Equalizer Bush
12	TRS4602	21016381S	Equalizer Shaft
13	MDP17	21016382	Drive Pin
14	800.036	21206055	Bolt -Equalizer
15	800.037	21206037	Nut Nylock -Equalizer
16	TR014	19016341	Adjustable Torque Arm 441 -498mm CD
17	TRE016L	21013637	Torque Arm End LH -Bushed
18	TRE017R	21013636	Torque Arm End RH -Bushed

