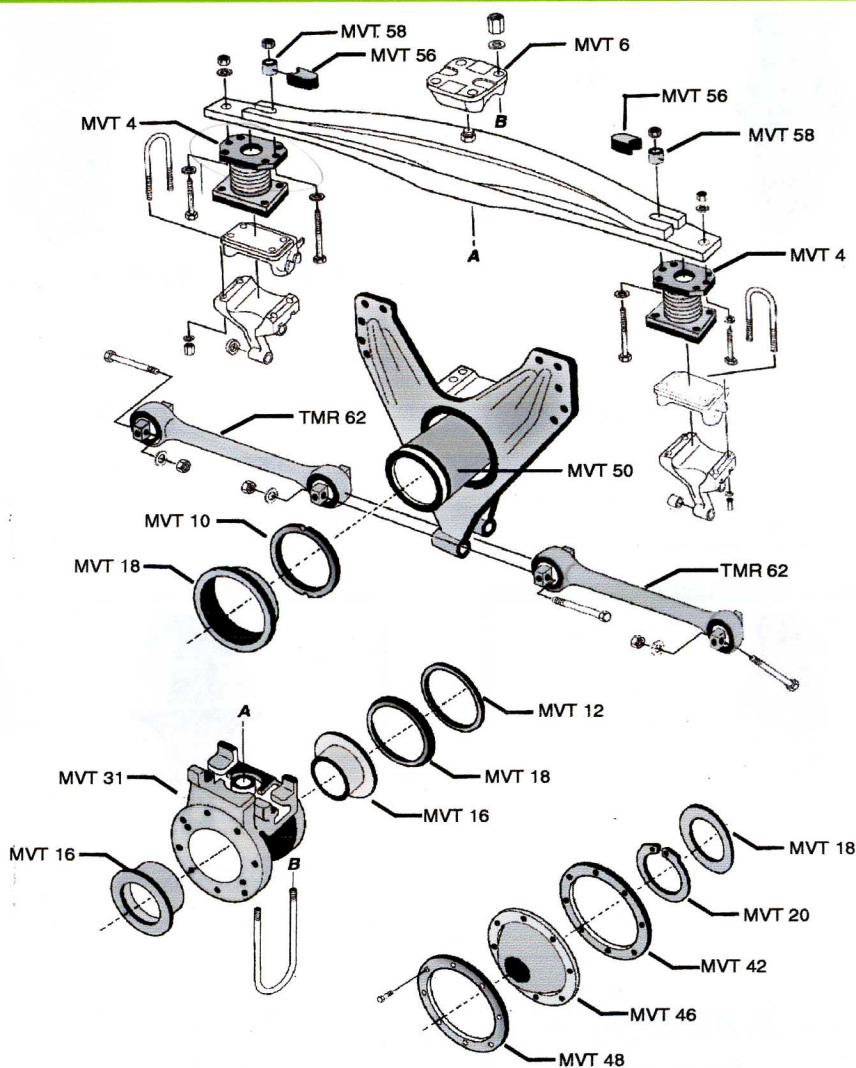


MANSONS

VOLVO

**SUSPENSION
BRAKE & AXLE
components**

VOLVO T RIDE SINGLE POINT SUSPENSION



Sr.No.	<i>mansons</i>	OEM	DESCRIPTION
1	MVT58	V1590076	Rebound Sleeve
2	MVT56	V8059664	Rubber Spacer
3	MVT6	V8057237	Top Plate
4	MVT4	1629553	Rubber Load Spring
5	TMR62	V8071851	Fixed Torque Arm/Rod
6	MVT10	V1509219	Washer RH 130x176.5x6.5mm
7	MVT12	V1586520	Sealing Ring
8	MVT18	V1590064	Washer LH 130x176.5x6.5mm
9	MVT16	V1620443	Trunnion Bushing
10	MVT31	V3198095	Trunnion
11	MVT20	V951082	Circlip
12	MVT42	1620742	Gasket Cover Bogie Suspension
13	MVT46	V1502292	Trunnion Cap
14	MVT48	V159050	Trunnion Cap Rings
15	MVT4B		Bolt For MVT4

