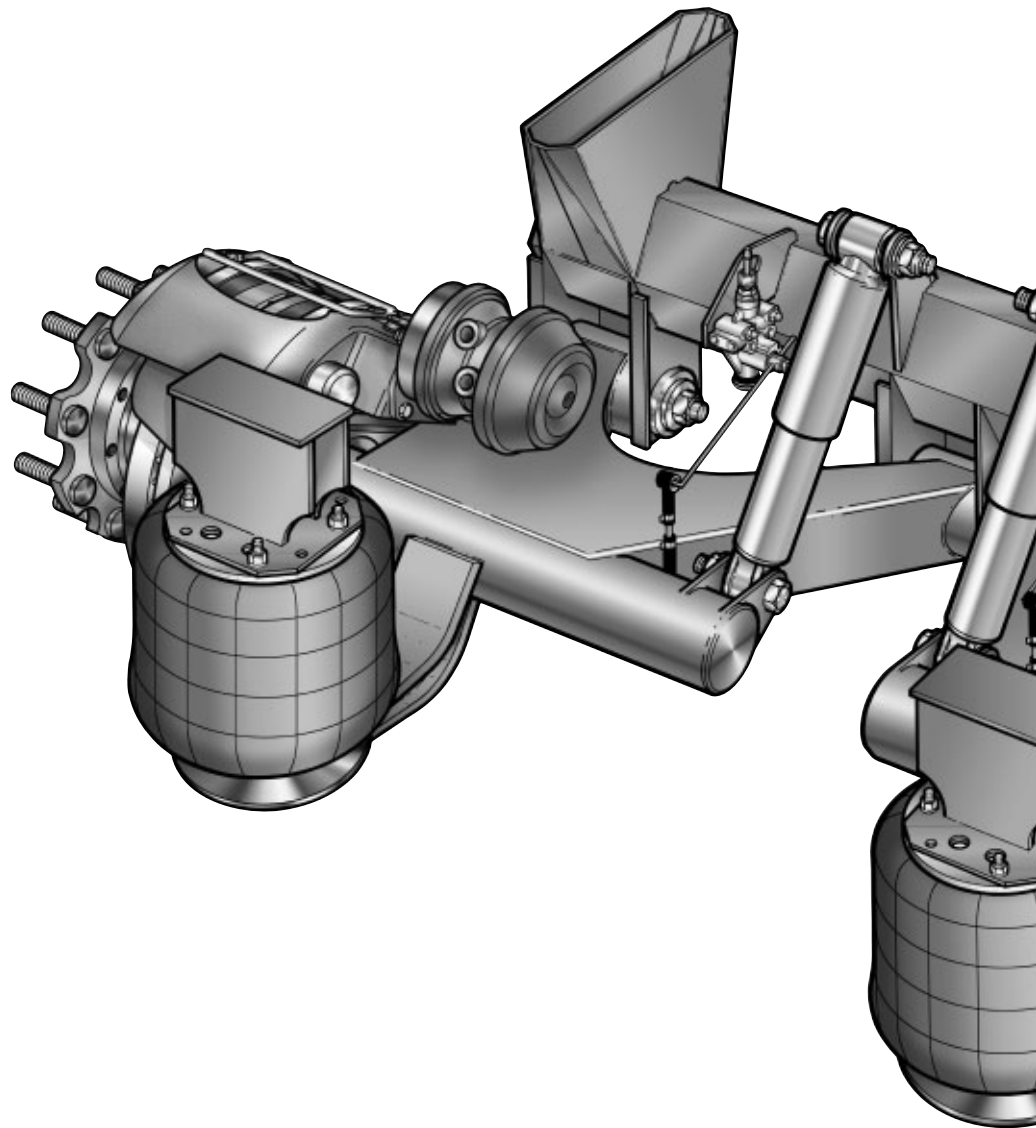




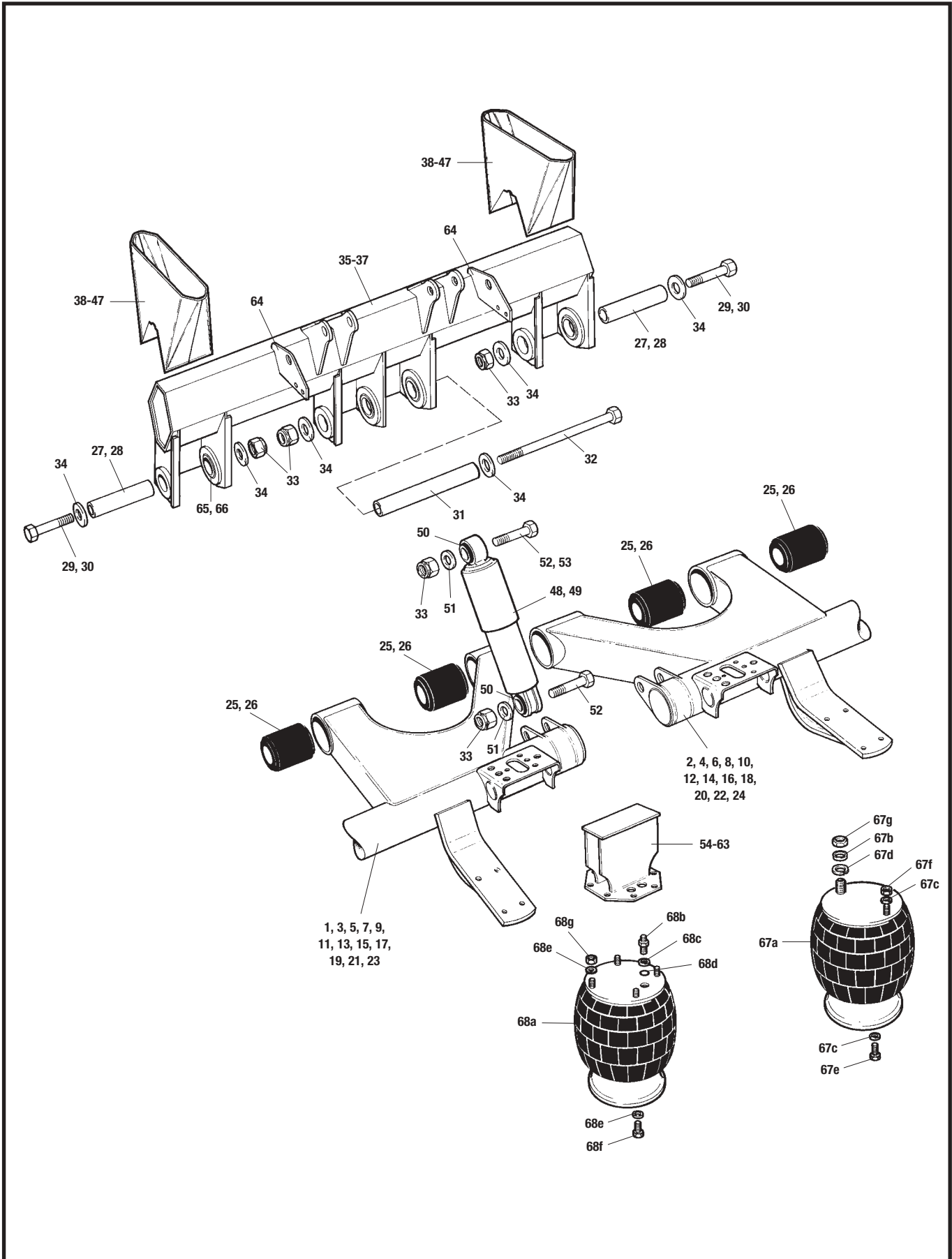
**MERITOR™**

ROR Trailer Products  
Air Suspension Parts List  
Indair



# Indair Parts List

## Standard Suspension



# Indair Parts List

## Standard Suspension



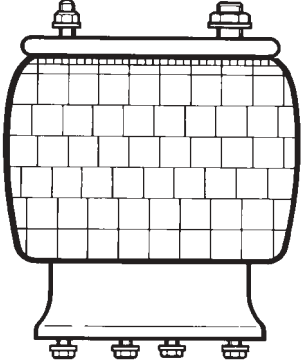
Item	Description	Part Number
1	Link arm assy. LH 420 brake, 2045 track, single wheel, plus bushes	21208382S
2	Link arm assy. RH 420 brake, 2045 track, single wheel, plus bushes	21208381S
3	Link arm assy. LH 420 brake, 1860 track, twin wheel, plus bushes	21208613S
4	Link arm assy. RH 420 brake, 1860 track, twin wheel, plus bushes	21208614S
5	Link arm assy. LH 350 brake, 1820 track, twin wheel, plus bushes	21208567S
6	Link arm assy. RH 350 brake, 1820 track, twin wheel, plus bushes	21208568S
7	Link arm assy. LH 310 brake, 1820 track, twin wheel, plus bushes	21208685S
8	Link arm assy. RH 310 brake, 1820 track, twin wheel, plus bushes	21208686S
9	Link arm assy. LH 420 brake, 1970 track, single wheel, plus bushes	21219773S
10	Link arm assy. RH 420 brake, 1970 track, single wheel, plus bushes	21219772S
11	Link arm assy. LH 420 brake, 1920 track, twin wheel, plus bushes	21221113S
12	Link arm assy. RH 420 brake, 1920 track, twin wheel, plus bushes	21221112S
13	Link arm assy. RH 310 brake, 1920 track, twin wheel, plus bushes	21221176S
14	Link arm assy. LH 310 brake, 1920 track, twin wheel, plus bushes	21221177S
15	Link arm assy. LH 420 brake (special actuation), 2045 track, single wheel, plus bushes	21216190S
16	Link arm assy. RH 420 brake (special actuation), 2045 track, single wheel, plus bushes	21216191S
17	Link arm assy. LH 420 brake (special long cams), 2045 track, single wheel, plus bushes	21216101S
18	Link arm assy. RH 420 brake (special long cams), 2045 track, single wheel, plus bushes	21216102S
19	Link arm assy. LH 420 brake, 1820 track (special N/track), twin wheel, plus bushes	21216107S
20	Link arm assy. RH 420 brake, 1820 track (special N/track), twin wheel, plus bushes	21216106S
21	Link arm assy. LH 420 brake (special "TN" end), 1860 track, plus bushes	21216018S
22	Link arm assy. RH 420 brake (special "TN" end), 1860 track, plus bushes	21216017S
23	Link arm assy. LH 420 brake (special "TN" end), 2045 track, plus bushes	21219769S
24	Link arm assy. RH 420 brake (special "TN" end), 2045 track, plus bushes	21219768S
25	Main pivot bush (standard)	21208093
26	Main pivot bush (special soft compound) – for low weight applications only	21216100
27	Outer sleeve (166mm long)	21208783
28	Outer sleeve (early single wheel – 184mm long)	21208019
29	Outer bolt (M24 x 3 x 240mm long)	21208078
30	Outer bolt (M24 x 3 x 225mm long)	21216189
31	Centre sleeve	21208242
32	Centre bolt (M24 x 3 x 400mm long)	21208079
33	Nut, prevailing torque (M24 x 3)	99527004
34	Washer (special thick)	21208324
35	Cross member assy. (single wheel, 1200 cts, no frame brackets)	21208296
36	Cross member assy. (single wheel, 1300 cts, no frame brackets)	21216096
37	Cross member assy. (twin wheel, 1000 cts, no frame brackets)	21208721
38	Frame bracket, 250mm ride height (bracket height 35mm)	21208706
39	Frame bracket, 275mm ride height (bracket height 60mm)	21208707
40	Frame bracket, 300mm ride height (bracket height 85mm)	21208708
41	Frame bracket, 325mm ride height (bracket height 110mm)	21208709
42	Frame bracket, 350mm ride height (bracket height 135mm)	21208710
43	Frame bracket, 375mm ride height (bracket height 160mm)	21208711
44	Frame bracket, 400mm ride height (bracket height 185mm)	21208712
45	Frame bracket, 425mm ride height (bracket height 210mm)	21208713
46	Frame bracket, 450mm ride height (bracket height 235mm)	21208714
47	Frame bracket, 475mm ride height (bracket height 260mm)	21216066
48	Damper	21224034
49	Damper (red – super duty)	21224034
50	Bush, damper eye	21216032
51	Washer (M24)	21208376
52	Bolt, damper (M24 x 3 x 110mm long)	21208315
53	Bolt, damper (M24 x 3 x 140mm long – old style top bracket)	21208314
54	Pedestal, (airspring top) 250mm ride height (flat plate)	21208858
55	Pedestal, (airspring top) 275mm ride height (25mm high)	21208335
56	Pedestal, (airspring top) 300mm ride height (50mm high)	21208336
57	Pedestal, (airspring top) 325mm ride height (75mm high)	21208337
58	Pedestal, (airspring top) 350mm ride height (100mm high)	21208338

# Indair Parts List

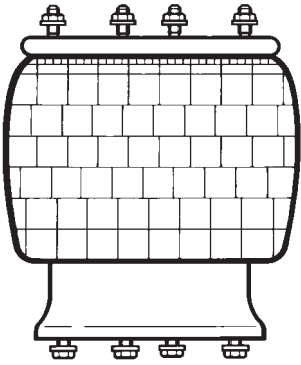
## Standard Suspension

Item	Description	Part Number
59	Pedestal, (airspring top) 375mm ride height (125mm high)	21208339
60	Pedestal, (airspring top) 400mm ride height (150mm high)	21208340
61	Pedestal, (airspring top) 425mm ride height (175mm high)	21208341
62	Pedestal, (airspring top) 450mm ride height (200mm high)	21208342
63	Pedestal, (airspring top) 475mm ride height (225mm high)	21216067
64	Bracket, levelling valve	21208693
65	Thrust washer (5mm thick)	21208681
66	Thrust washer (3mm thick)	21208306

## Two Stud Air Spring

	Item	Description	Part Number
	67	2 Stud air spring assy.	17204516
	<b>Comprises:</b>		
	a	Air spring 2 stud F7 (E1)	21208327
	b	Washer (M22 "G" form)	21208790
	c	Spring washer (M12)	99510003
	d	Spring washer (M22)	99510004
	e	Screw (M12 x 1.75 x 35mm long)	99526000
	f	Nut, prevailing torque (M12 x 1.75)	99527000
g	Nut, thin type (M22 x 1.5)	99528001	

## Four Stud Air Spring

	Item	Description	Part Number
	68	4 Stud air spring assy.	17204517
	<b>Comprises:</b>		
	a	Air spring 4 stud F7 (E1)	21208082FS
	b	Union (M22 x 1.5)	21208426
	c	P/ring (22 dia.)	21208428
	d	O/ring (22 dia.)	21208429
	e	Spring washer (M12)	99510003
	f	Screw (M12 x 1.75 x 35mm long)	99526000
g	Nut, prevailing torque (M12 x 1.75)	99527000	



# Indair Parts List

## Low Height Suspension

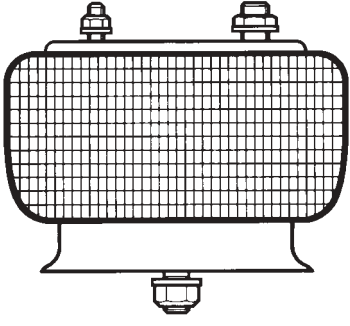
Item	Description	Part Number
1	Link arm assy. LH 350 brake, 2180 track, single wheel (offset hub), plus bushes	21216163S
2	Link arm assy. RH 350 brake, 2180 track, single wheel (offset hub), plus bushes	21216162S
3	Link arm assy. LH 310 brake, 1985 track, twin wheel (prototype), plus bushes	21208871S
4	Link arm assy. RH 310 brake, 1985 track, twin wheel (prototype), plus bushes	21208870S
5	Link arm assy. LH 310 brake, 1985 track, twin wheel, plus bushes	21216117S
6	Link arm assy. RH 310 brake, 1985 track, twin wheel, plus bushes	21216116S
7	Link arm assy. LH 350 brake, 1920 track, twin wheel, plus bushes	21216114S
8	Link arm assy. RH 350 brake, 1920 track, twin wheel, plus bushes	21216113S
9	Main pivot bush (standard)	21208093
10	Main pivot bush (special soft compound) – for low weight applications only	21216100
11	Sleeve, pivot (166mm long)	21208783
12	Bolt, pivot (M24 x 3 x 225mm long)	21216189
13	Nut, prevailing torque (M24 x 3)	99527004
14	Washer (special thick)	21208324
15	Cross member assy. (1985 track) twin outboard f/brackets	21208937
16	Cross member assy. (1920 track) twin outboard f/brackets	21208938
17	Cross member assy. (1985 track) twin inboard f/brackets	21216131
18	Cross member assy. (1920 track) twin inboard f/brackets	21216132
19	Damper (yellow – hard)	21208363
20	Bush, damper eye	21216032
21	Washer (M24)	21208376
22	Bolt, damper (M24 x 3 x 110mm long)	21208315
23	Bolt, damper (M24 x 3 x 140mm long – old style top bracket)	21208314
24	Bracket, levelling valve	21208897
25	Thrust washer (5mm thick)	21208681
26	Thrust washer (3mm thick)	21208306
29	Air spring & damper bracket assy. LH	21208899
30	Air spring & damper bracket assy. RH	21208898

# Indair Parts List

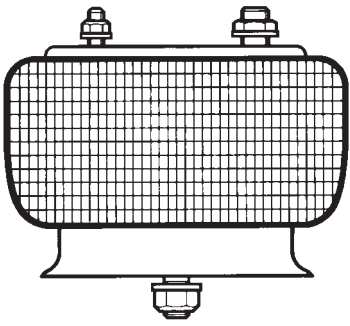
## Low Height Suspension



### Two Stud Air Spring – Imperial

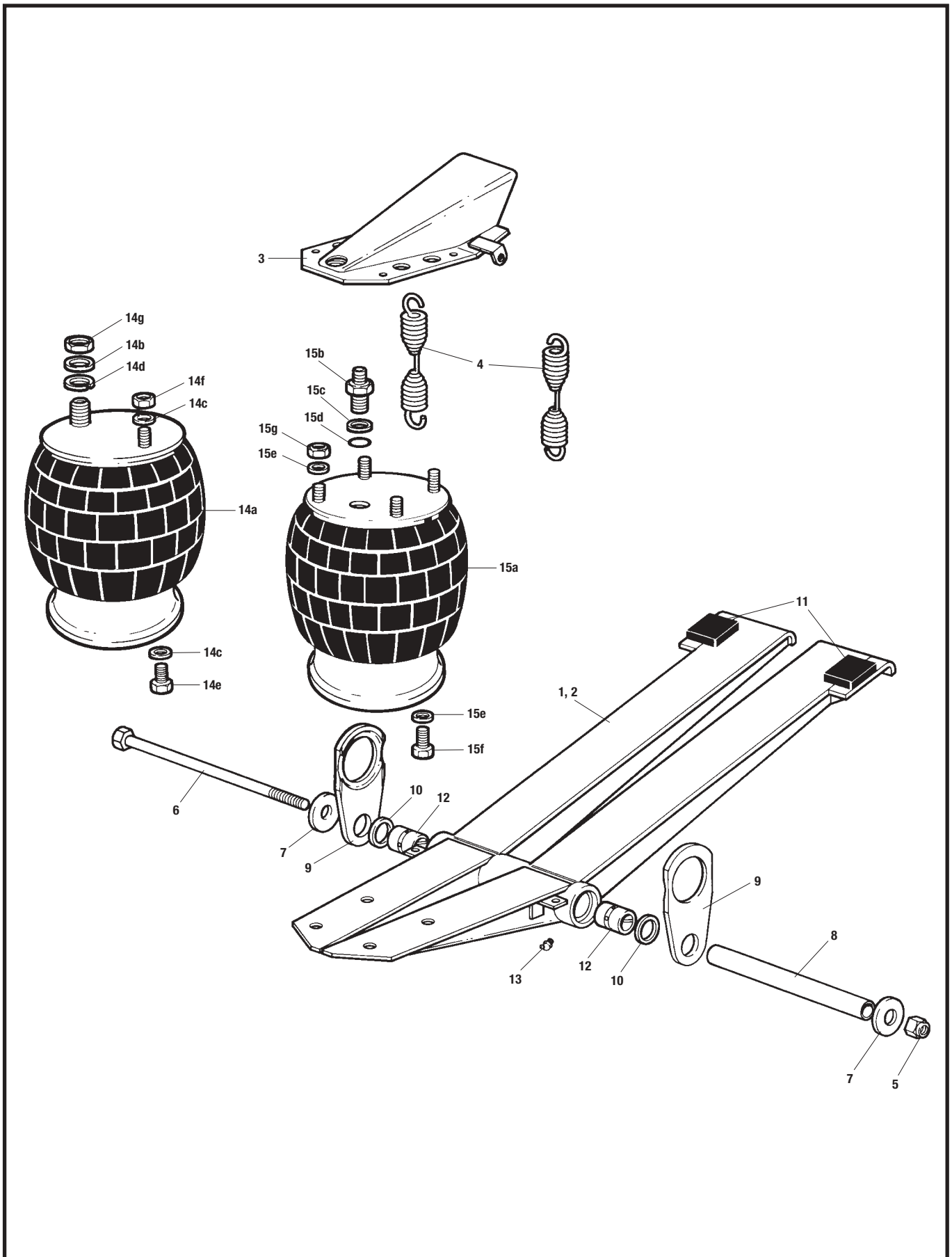
	Item	Description	Part Number	
	27	2 Stud air spring assy. list (imperial)	17217753	
	<b>Comprises:</b>			
	a	Air spring, 2 stud imperial	21208939	
	b	Washer (flat 3/4")	21216022	
	c	Washer (flat 1/2")	99513001	
	d	Nut, prevailing torque (3/4 x 10 UNC)	21216019	
	e	Nut, prevailing torque (1/2 x 13 UNC)	99527000	
f	Nut, thin type (3/4)	21216021		

### Two Stud Air Spring – Metric

	Item	Description	Part Number	
	28	2 Stud air spring assy. list (metric)	17219955	
	<b>Comprises:</b>			
	a	Air spring, 2 stud metric	21216135	
	b	Thin nut, (M22 x 1.5)	99528001	
	c	Washer, flat (M12)	99513001	
	d	Washer, flat (M20)	21216193	
	e	Washer, flat (M22 "G" form)	21208790	
	f	Nut, prevailing torque (M20 x 2.5)	21216192	
g	Nut, prevailing torque (M12 x 1.75)	99527000		

# Indair Parts List

## Axle Lift





# Indair Parts List

## Axle Lift



Item	Description	Part Number
1	Lift arm, single wheel	21208807
2	Lift arm, twin wheel	21208801
3	Mounting bracket, upper air spring	21208461
4	Return spring (pre August 1990)	21023389
4a	Return spring (post August 1990)	21220048
5	Nut, prevailing torque (M24 x 3)	99527004
6	Bolt (M24 x 3 x 400mm long)	21208079
7	Washer (special thick)	21208324
8	Shaft, pivot (334mm long)	21208466
9	Pivot plates	21208467
10	Seal, felt	21208468
11	Wear pad, nylon	21208469
12	Bush, pivot arm	21209990
13	Grease nipple	99040013

## Two Stud Air Spring

	Item	Description	Part Number	
	14	2 Stud air spring assy. list	17204516	
	<b>Comprises:</b>			
	a	Air spring 2 stud F7 (E1)	21208327	
	b	Washer (M22 "G" form)	21208790	
	c	Spring washer (M12)	99510003	
	d	Spring washer (M22)	99510004	
	e	Screw (M12 x 1.75 x 35mm long)	99526000	
	f	Nut, prevailing torque (M12 x 1.75)	99527000	
g	Nut, thin type (M22 x 1.5)	99528001		

## Four Stud Air Spring

	Item	Description	Part Number	
	15	4 Stud air spring assy. list	17204517	
	<b>Comprises:</b>			
	a	Air spring 4 stud F7 (E1)	21208082FS	
	b	Union (M22 x 1.5)	21208426	
	c	P/ring (22 dia.)	21208428	
	d	O/ring (22 dia.)	21208429	
	e	Spring washer (M12)	99510003	
	f	Screw (M12 x 1.75 x 35mm long)	99526000	
	g	Nut, prevailing torque (M12 x 1.75)	99527000	

# Indair Parts List

## Warranty

A comprehensive network of original parts distributors and service stations operate throughout Europe; this is supported internationally with agents strategically placed around the world.

All Meritor replacement parts obtained through original parts distributors are covered by a one year warranty.

**For full warranty terms and conditions see 'Meritor Warranty Terms and Conditions' Publication No 4.84.1**

Meritor reserve the right to make changes in specifications shown herein or add improvements at any time without notice or obligation.

PARTS SHOWN IN THIS SPARES LIST ARE MADE FROM DRAWINGS IN WHICH COPYRIGHT SUBSISTS. THE MAKING OF COPIES OF ANY OF THESE PARTS IS PROHIBITED.

© Meritor HVS Limited



*The high quality assurance management systems applied by Meritor are endorsed with the awarding of ISO 9001, Lloyd's Register Quality Assurance.*

# Indair Parts List





**ArvinMeritor**

Commercial Vehicle Aftermarket AG  
Neugutstrasse 89  
8600 Dübendorf  
Switzerland  
Tel: +41 (0)44 824 82 00  
Fax: +41 (0)44 824 82 65

**ArvinMeritor**

Commercial Vehicle Aftermarket Ltd.  
Park Lane, Great Alne, Alcester  
Warwickshire B49 6HT  
U.K.  
Tel: 0845 606 7733  
Fax: 0845 606 8844

[www.arvinmeritor.com](http://www.arvinmeritor.com)

Descriptions and specifications were in effect at the time of publication and are subject to change without notice or liability. Meritor reserve the right to make design improvements, change or discontinue parts at any time.

© Copyright 2004  
Meritor Automotive  
All rights Reserved

Issued 08-04  
Publication CVA-4.15.6

**ArvinMeritor™**