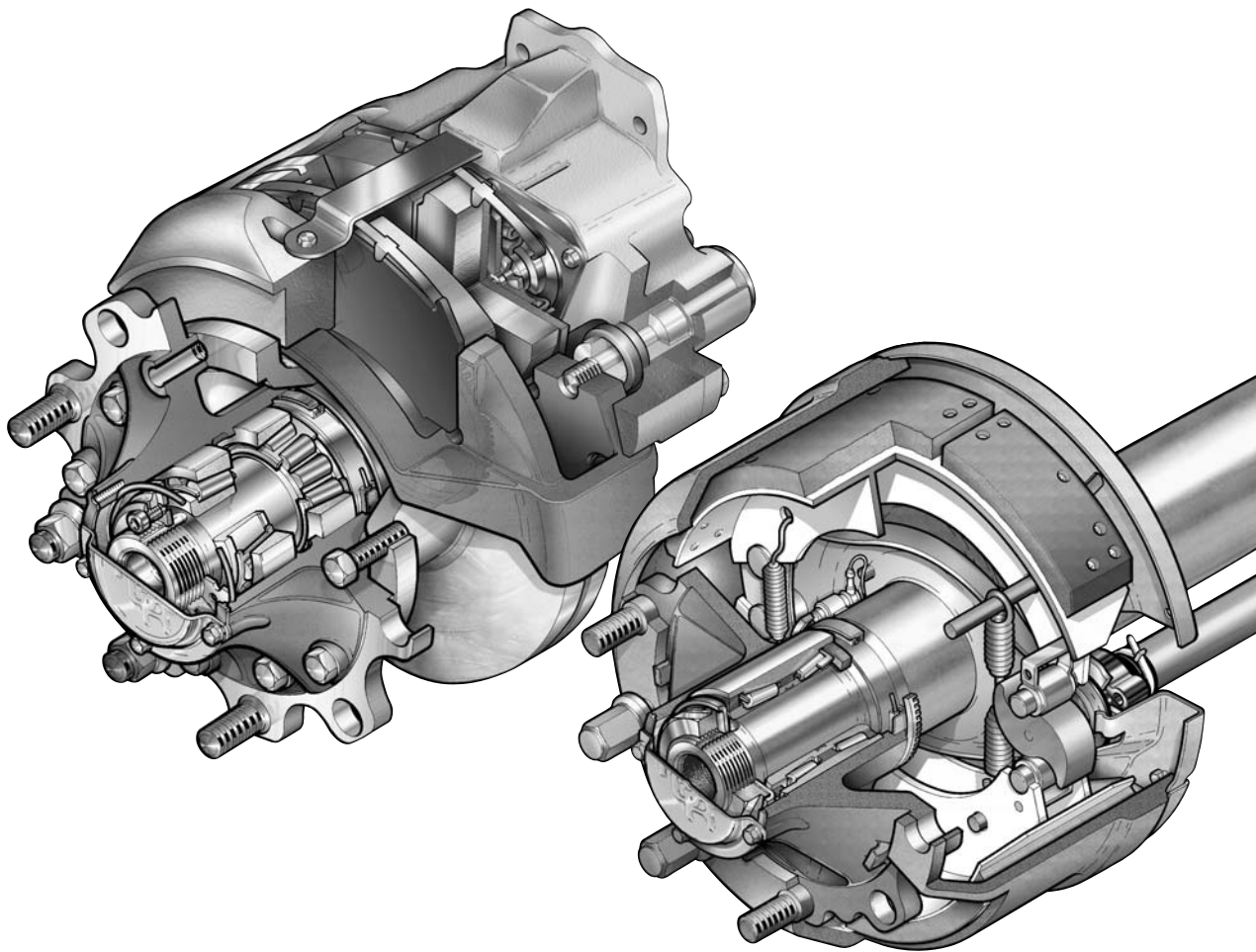




MERITOR™

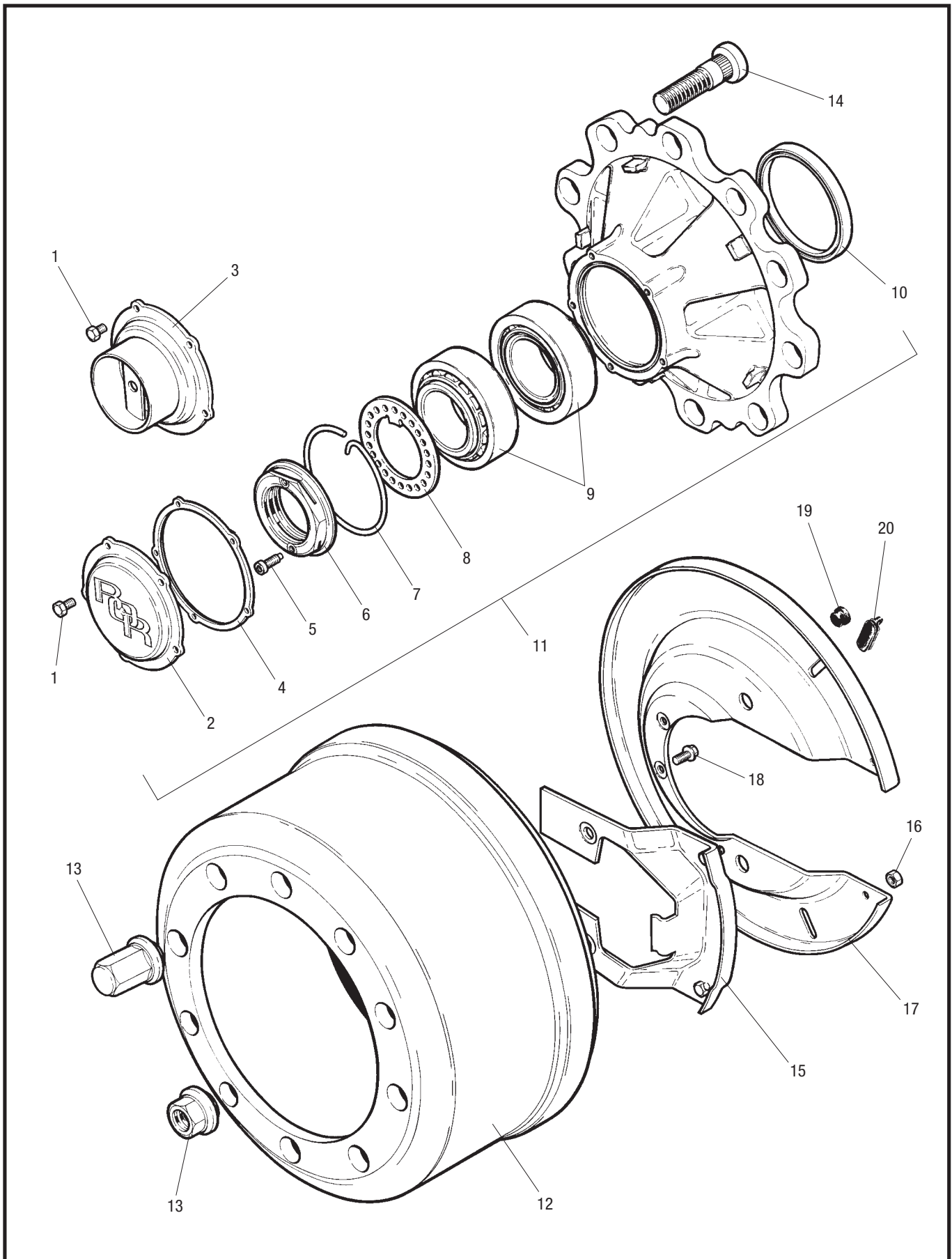
ROR Trailer Products
Axle & Brake Parts List
LM and LC Series Axles
including disc and drum brake variants



ArvinMeritor™

LM & LC Parts List

LM/LC Hub Assembly



LM & LC Parts List

LM/LC Hub Assembly



MERITOR™

Item	Description	Part Number
1	Screw, hub cap	99543001
2	Hub cap	21224673
3	Hub cap – hubodometer	21224904
4	Gasket, hub cap	21224759
5	Screw, pinch nut	21224864
6	Pinch nut	21224762
7	Retaining clip	21224865PK5
8	Retaining washer	21224669
9	Bearings	99041075
10	Oil seal	21200321A
11	LM Hub assembly*	14224748
11A	LC Hub assembly (not shown)**	—
12	Brake drum	21220183V
13	Wheel nut	see table below
14	Wheel bolt, steel wheel	21220132
14	Wheel bolt, aluminium wheel	21220969
14	Wheel bolt, universal steel/aluminium, coated, (use with dacromet wheel nut)	21226339
15	Filler plate – for axles manufactured before April 2001	15224518
15	Filler plate – for axles manufactured after April 2001	15225842
16	Nut, filler plate	99544000
17	Dust cover	21224522
18	Screw, dust cover	99546002
19	Plug, blanking	21211385
20	Plug, inspection	21220719
21	400g Cartridge MERITOR hub grease (not shown)	99538007
22	100g Tube Optimol Optimoly White Paste T (not shown)	99538009

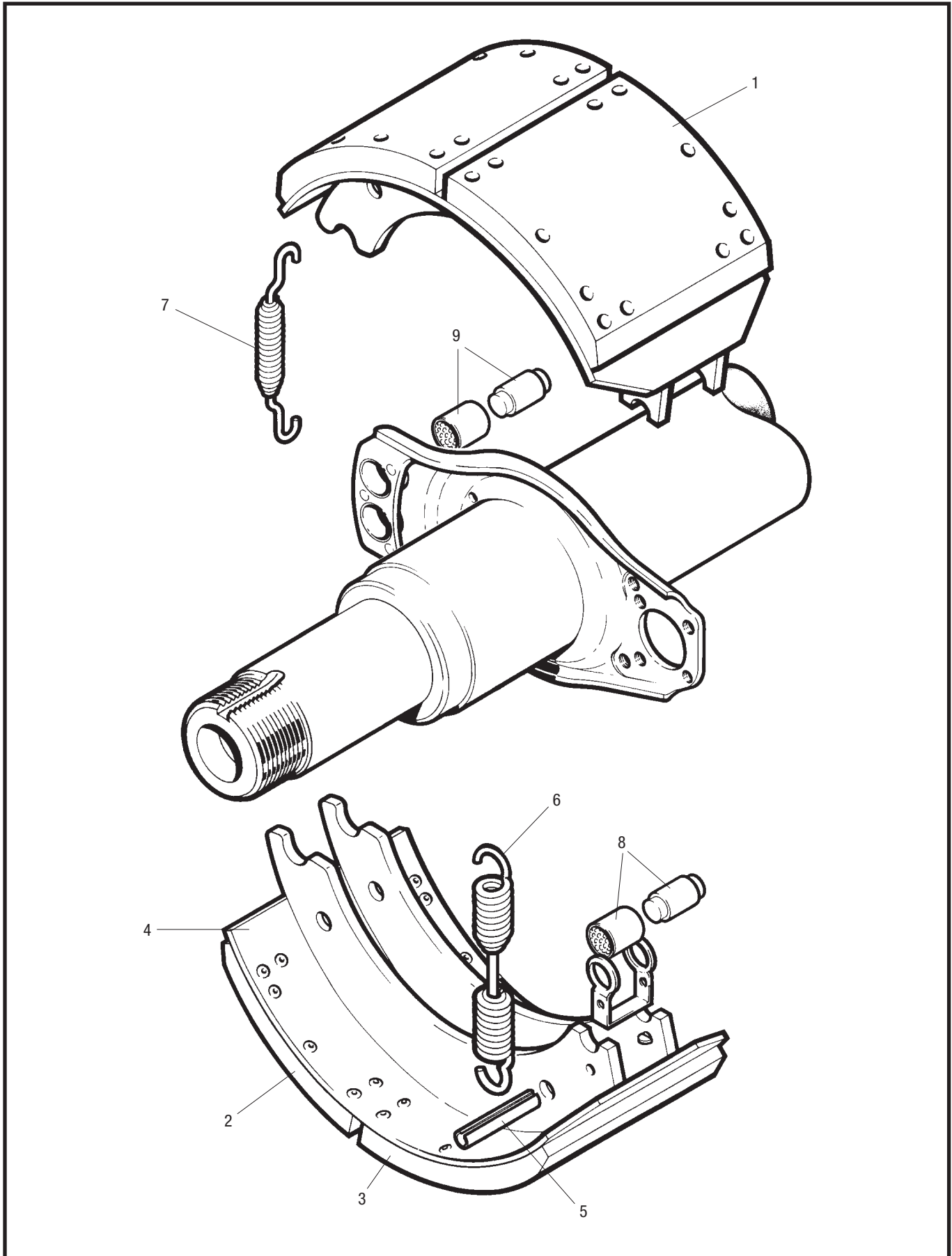
*Does not include items 5 or 6.

**see page 13 for LC hub parts

WHEEL NUTS 32mm ACROSS FLATS			
NEW PART NUMBER	REPLACES EXISTING NUMBERS	TYPE	FINISH COATING
21226395	21218643 / 21218644	STANDARD OPEN	PHOSPHATE & OIL
21226396	21225528 / 21225529	STANDARD OPEN	DACROMET 500 & OIL
21226397	21218645 / 21218621	CLOSED END	PHOSPHATE & OIL
21226484	N/A	CLOSED END	DACROMET 500 & OIL

LM & LC Parts List

LM/LC Brake Assembly



LM & LC Parts List

LM/LC Brake Assembly



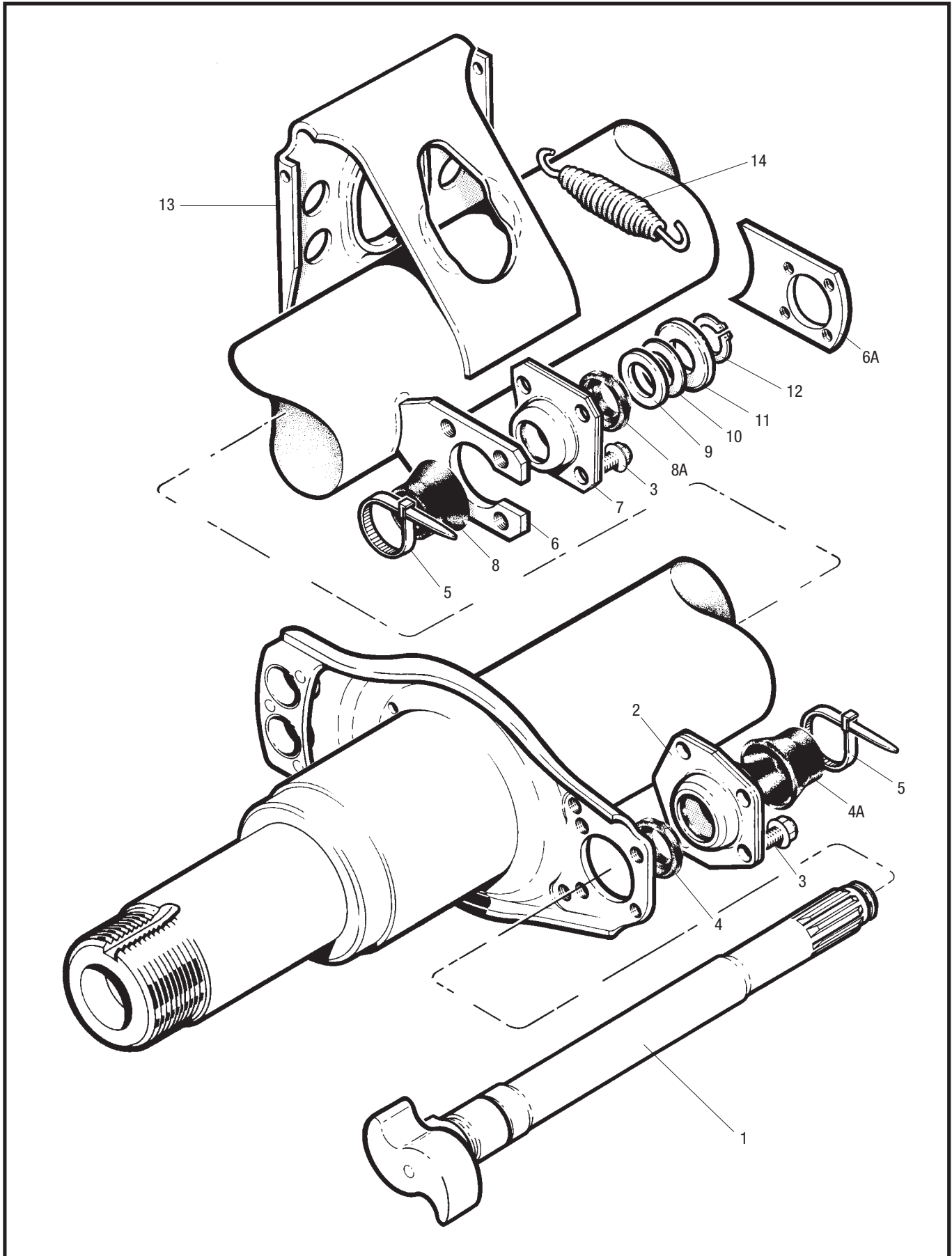
Item	Description	Part Number
1	Brake shoe lined assembly	15224952R
2	Brake lining, anchor end	} Brake lining kit (including rivets) BLKQ+R
3	Brake lining, cam end	
4	Brake shoe assembly, welded	15224724S
5	Roll pin	21220171PK20
6	Return spring	21221224PK10
7	Retaining spring	21205194PK100
8	Cam roller assembly	15226262
9	Anchor pin and bush assembly	15226632
*10	25g Sachet MERITOR brake grease (not shown)	99226786
*11	400g Cartridge MERITOR brake grease (not shown)	99226787

*Must be used with items 8 and 9.

NB. Items 8 and 9 must be used as a matched set, individual components are not interchangeable with old style parts.

LM & LC Parts List

LM/LC Camshaft Assembly – up to 31st March 2001





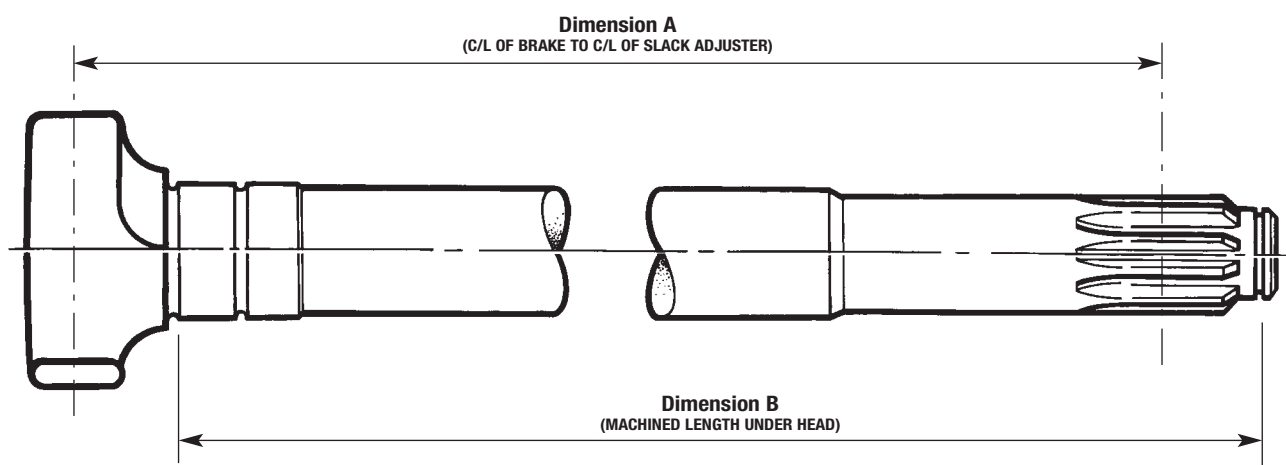
MERITOR™

LM & LC Parts List

LM/LC Camshaft Assembly – up to 31st March 2001

Item	Description	Part Number
1	Camshaft LH/RH	See table below
2	Cam head bearing assembly	15224821
3	Screw, bearing	99546002
4	Inner boot, cam end	21224729
4A	Outer boot, cam end	21224730
5	Tie wrap	21221065
6	Camshaft bracket	21220982
6A	Camshaft bracket (axles built after Sept '99)	21020300
7	Spline end bearing assembly	15213430
8	Inner boot, spline end	21204849
8A	Outer boot, spline end	21205667
9	Washer, spacing, thick	21006627
10	Washer, spacing, thin	21006662
11	Retaining washer	21219862
12	Circlip	99507030
13	Air chamber bracket	21221004
14	Assister spring	21210215PK10
*15	25g Sachet MERITOR grease (not shown)	99226786
*15	400g Cartridge MERITOR grease (not shown)	99226787

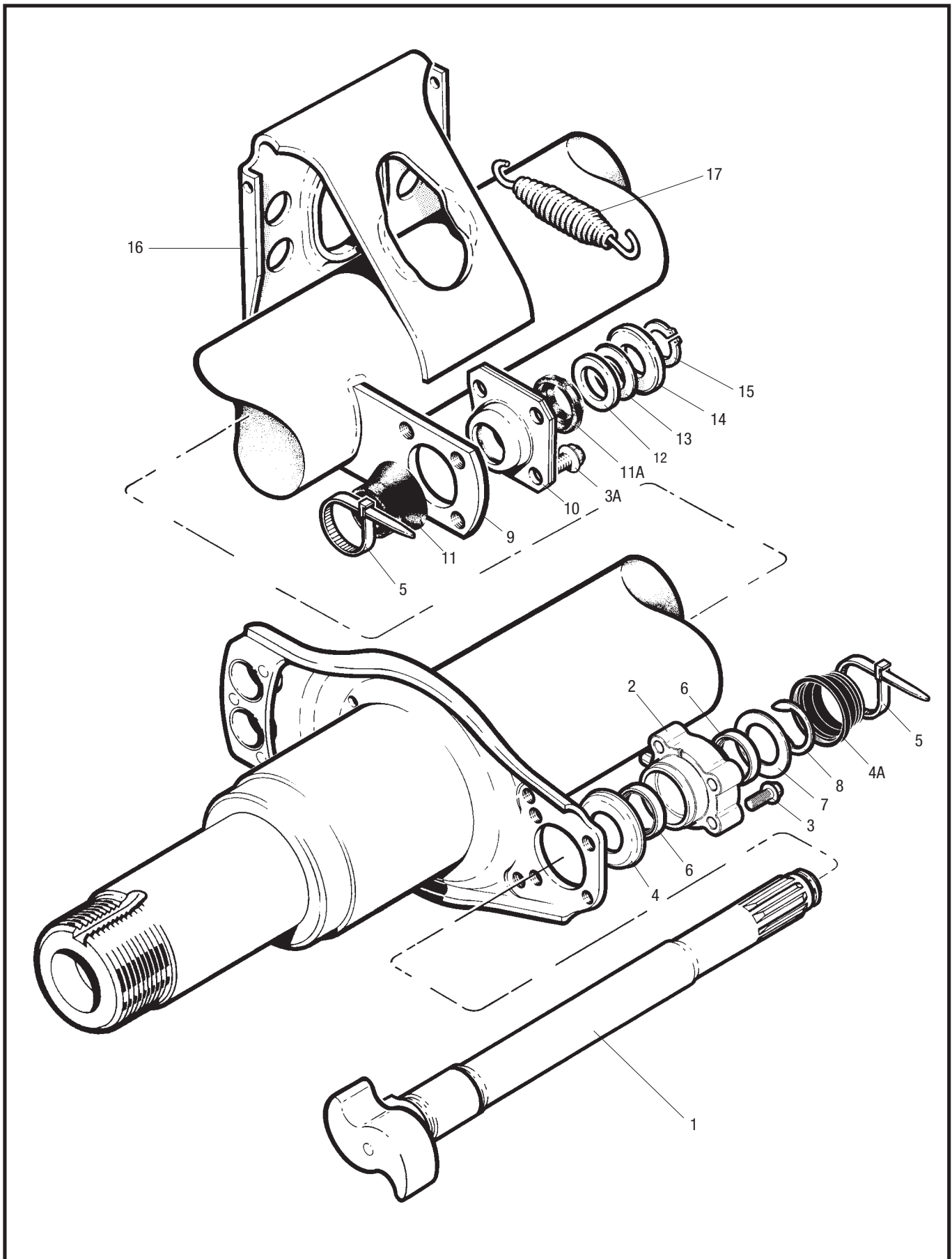
NB. Item 15 must be used on items 2 & 7.



Dimension 'A'	Dimension 'B'	Part Number	
		Right Hand	Left Hand
229.9	232.4	21224857	21224858
253.5	258.0	21224855	21224856
412.2	416.7	21224849	21224850
475.7	480.2	21224847	21224848
521.0	525.5	21224793	21224794
544.5	549.0	21224853	21224854
564.0	568.5	21224851	21224852
583.0	587.5	21224795	21224796
605.5	610.0	21224845	21224846
622.5	627.0	21224843	21224844
632.5	637.0	21224841	21224842
658.8	663.3	21224859	21224860

LM & LC Parts List

LM/LC Camshaft Assembly – from 1st April 2001





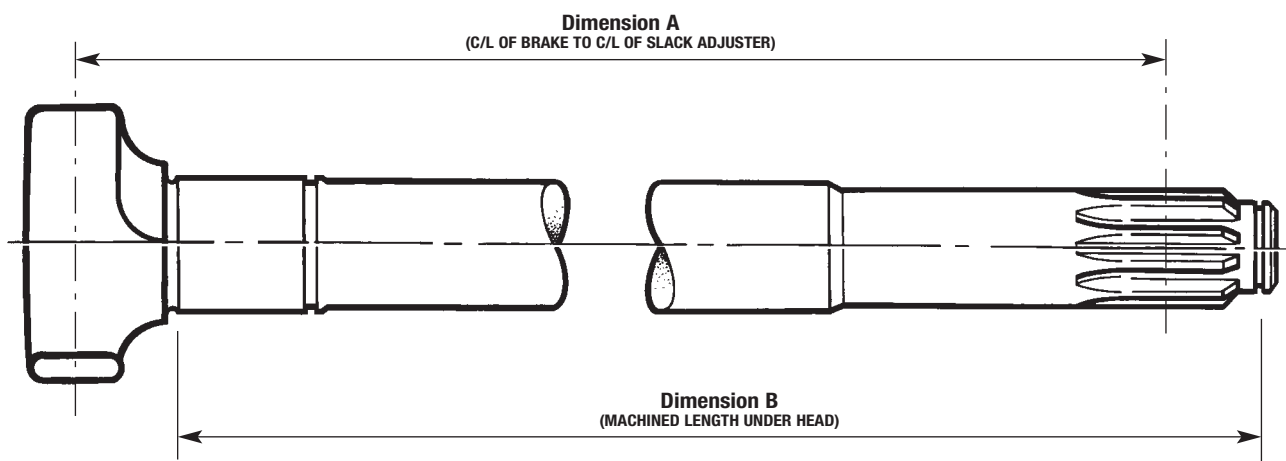
LM & LC Parts List

LM/LC Camshaft Assembly – from 1st April 2001

Item	Description	Part Number
1	Camshaft LH/RH	See table below
2	Cam head bearing assembly**	A23105Q1213
3	Screw, bearing, cam end**	99546000
3A	Screw, bearing, spline end**	99546002
4	Washer seal**	1229K4795
4A	Boot, cam end**	2260K1155
5	Tie wrap**	21221065
6	Lip seal (part of item 2)	–
7	Washer**	1229S4101
8	Snap ring**	1229T4102
9	Camshaft bracket	21020300
10	Spline end bearing assembly**	15213430
11	Inner boot, spline end**	21204849
11A	Outer boot, spline end**	21205667
12	Washer, spacing, thick**	21006627
13	Washer, spacing, thin**	21006662
14	Retaining washer**	21219862
15	Circlip**	99507030
16	Air chamber bracket	21221004
17	Assister spring	21210215PK10
*18	25g Sachet MERITOR grease (not shown)	99226786
*18	400g Cartridge MERITOR grease (not shown)	99226787

*NB. Item 18 must be used on items 2 & 10.

** All contained in service kit AXL 140

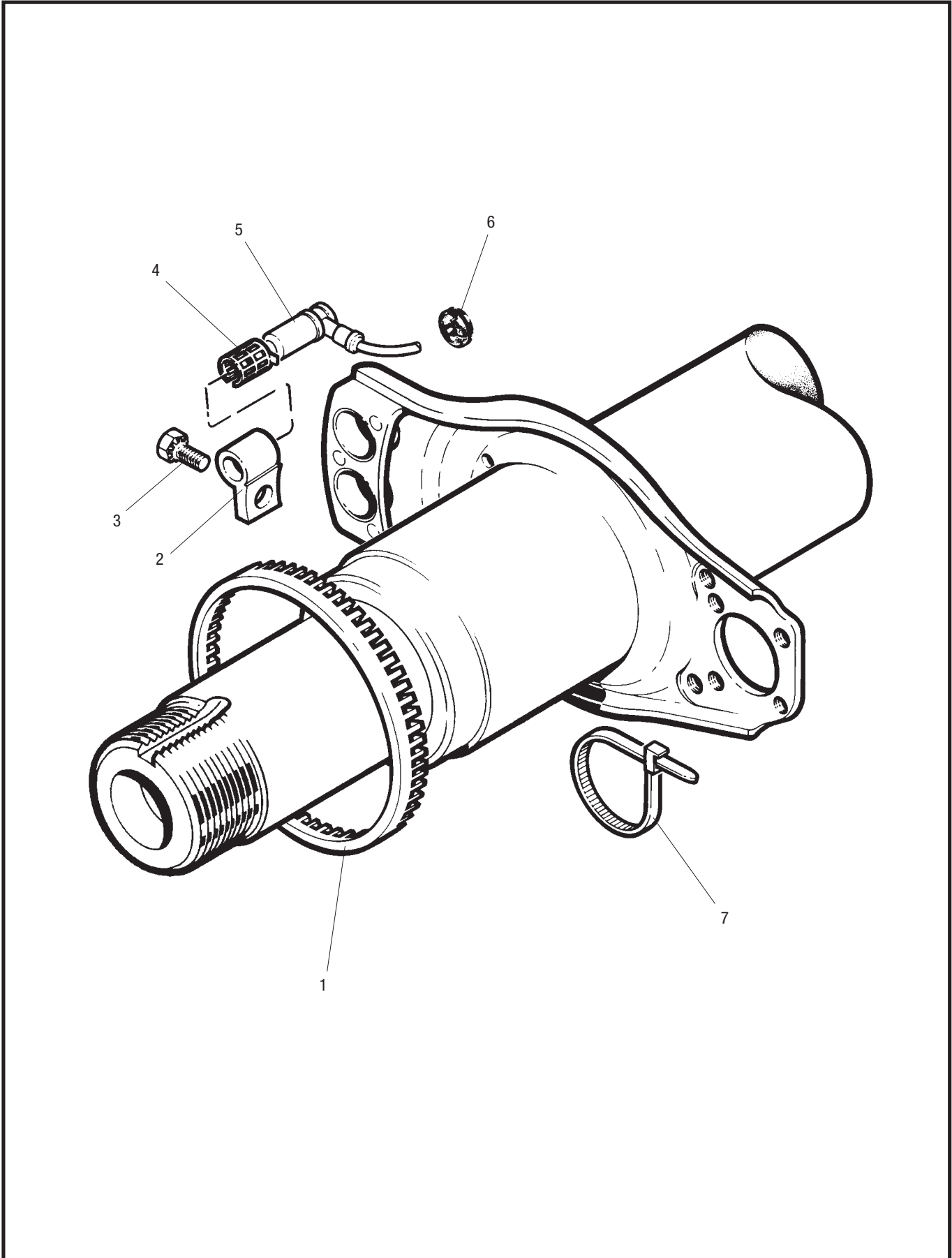


Dimension 'A'	Dimension 'B'	Part Number	
		Right Hand	Left Hand
412.2	416.7	21227086	21227087
521.0	525.5	21227084	21227085
544.5	549.0	21227082	21227083
583.0	587.5	21227080	21227081
605.5	610.0	21227078	21227079
622.5	627.0	21227076	21227077
632.5	637.0	21227074	21227075
188.5*	193.00*	21225020*	21225021*

*Steering axle

LM & LC Parts List

LM/LC ABS Assembly



LM & LC Parts List

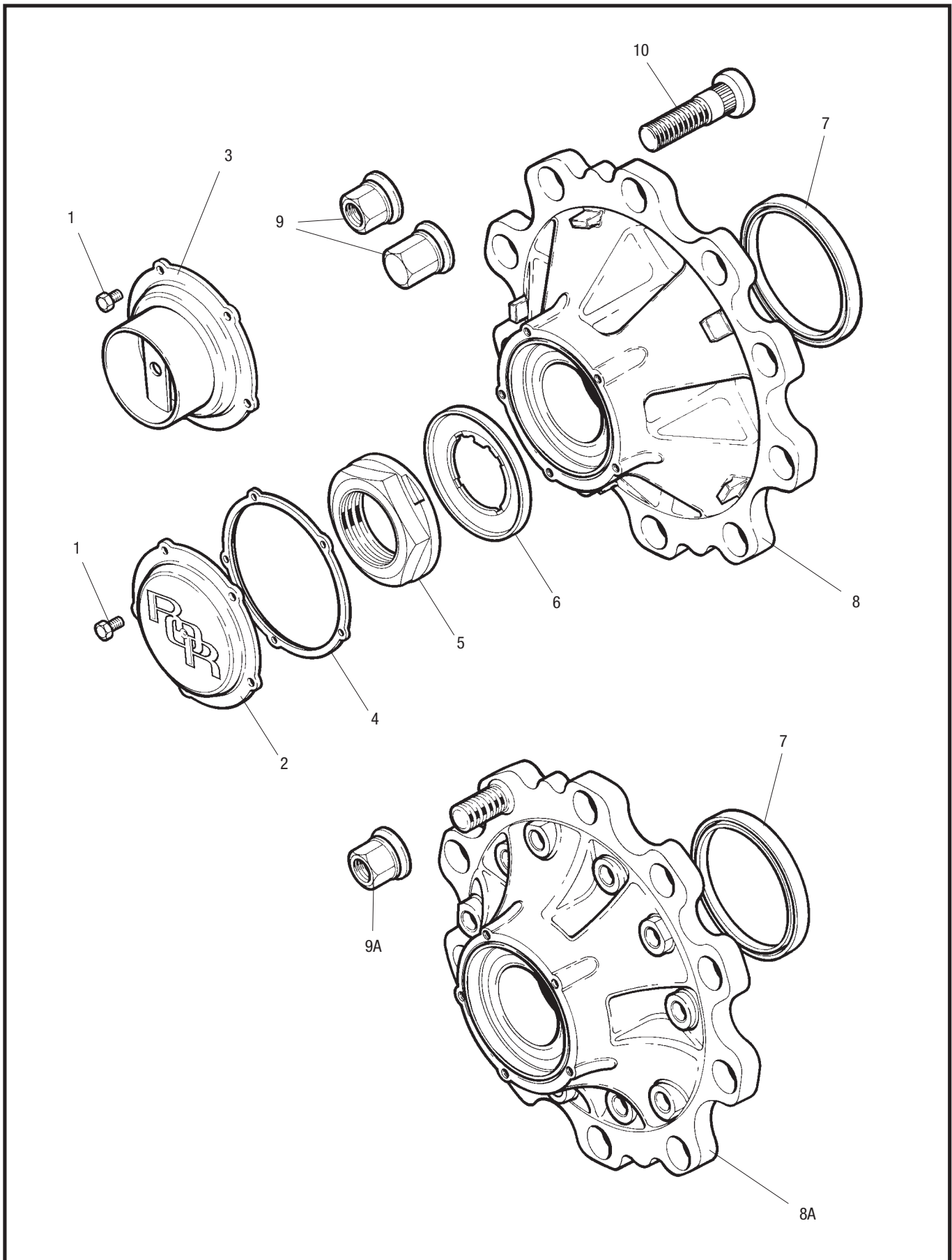
LM/LC ABS Assembly



Item	Description	Part Number
1	Pole wheel	21213316
2	Sensor block	22224705
3	Screw, sensor block	99541002
4	Spring clip	21213036
5	Sensor	21213034
6	Strain relief bush	21222319
7	Cable tie	21221065
8	Grease for sensor bush (not shown)	99226786

LM & LC Parts List

LC Hub Assembly



**MERITOR™**

LM & LC Parts List

LC Hub Assembly

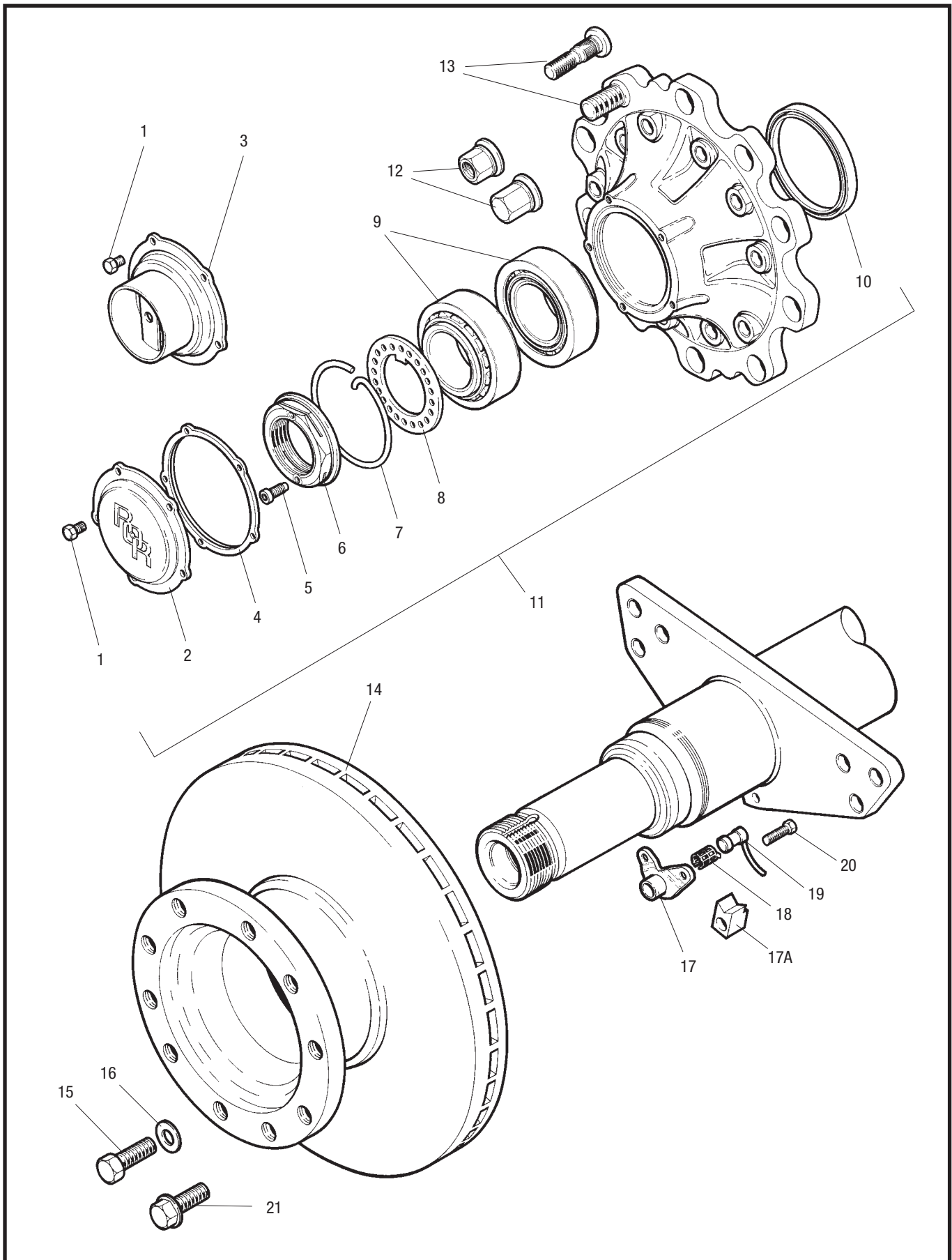
Item	Description	Part Number
1	Screw, hub cap	99543001
2	Hub cap	21224673
3	Hub cap – hubodometer	21224904
4	Gasket, hub cap	21224759
5	Axle end nut	21225405
6	Stake washer assembly	21225514
7	Auxiliary oil seal	21200321A
8	LC Hub assembly, drum brake	14225290
8A	LC Hub assembly, disc brake	14225494
8B	LC Hub assembly – offset, ELSA 2 disc brake only (not shown)	14227482
8C	LC Hub assembly – 8 stud, ELSA 195 disc brake only (not shown)	14227406
9	Wheel nut, drum brake	see table below
9A	Wheel nut, disc brake	21226396
10	Wheel bolt, steel wheel	21225086
10	Wheel bolt, aluminium wheel	21220132
10	Wheel bolt, universal steel/aluminium wheel, coated, (use with dacromat wheel nut)	21226340

WHEEL NUTS 32mm ACROSS FLATS

NEW PART NUMBER	REPLACES EXISTING NUMBERS	TYPE	FINISH COATING
21226395	21218643 / 21218644	STANDARD OPEN	PHOSPHATE & OIL
21226396	21225528 / 21225529	STANDARD OPEN	DACROMET 500 & OIL
21226397	21218645 / 21218621	CLOSED END	PHOSPHATE & OIL
21226484	N/A	CLOSED END	DACROMET 500 & OIL

LM & LC Parts List

LM DX195 Hub, Disc and ABS Assembly





MERITOR™

LM & LC Parts List

LM DX195 Hub, Disc and ABS Assembly

Item	Description	Part Number
1	Screw, hub cap	99543001
2	Hub cap	21224673
3	Hub cap – hubodometer	21224904
4	Gasket, hub cap	21224759
5	Screw, pinch nut	21224864
6	Pinch nut	21224762
7	Retaining clip	21224865PK5
8	Retaining washer	21224669
9	Bearings	99041075
10	Oil seal	21200321A
11	LM Hub assembly*	14225425
11A	LC Hub assembly (not shown)**	–
12	Wheel nut	see table below
13	Wheel bolt, steel wheel	21225086
13	Wheel bolt, aluminium wheel	21220132
13	Wheel bolt, universal steel/aluminium wheel, coated (use with dacromat wheel nut)	21226340
14	Brake disc	21227349
15	M16 x 65 Brake disc mounting bolt	21225100
16	Hardened washer	21224978
17	Sensor bracket (from June 2000)	21226429
17A	Sensor block (pre June 2000)	21213035
18	Spring clip	21213036
19	Sensor	21213034
20	Screw, sensor bracket (from June 2000)	99543002
21	M16 x 60 Brake disc flanged mounting bolt – replaces items 15 & 16 from July 2001	21227263

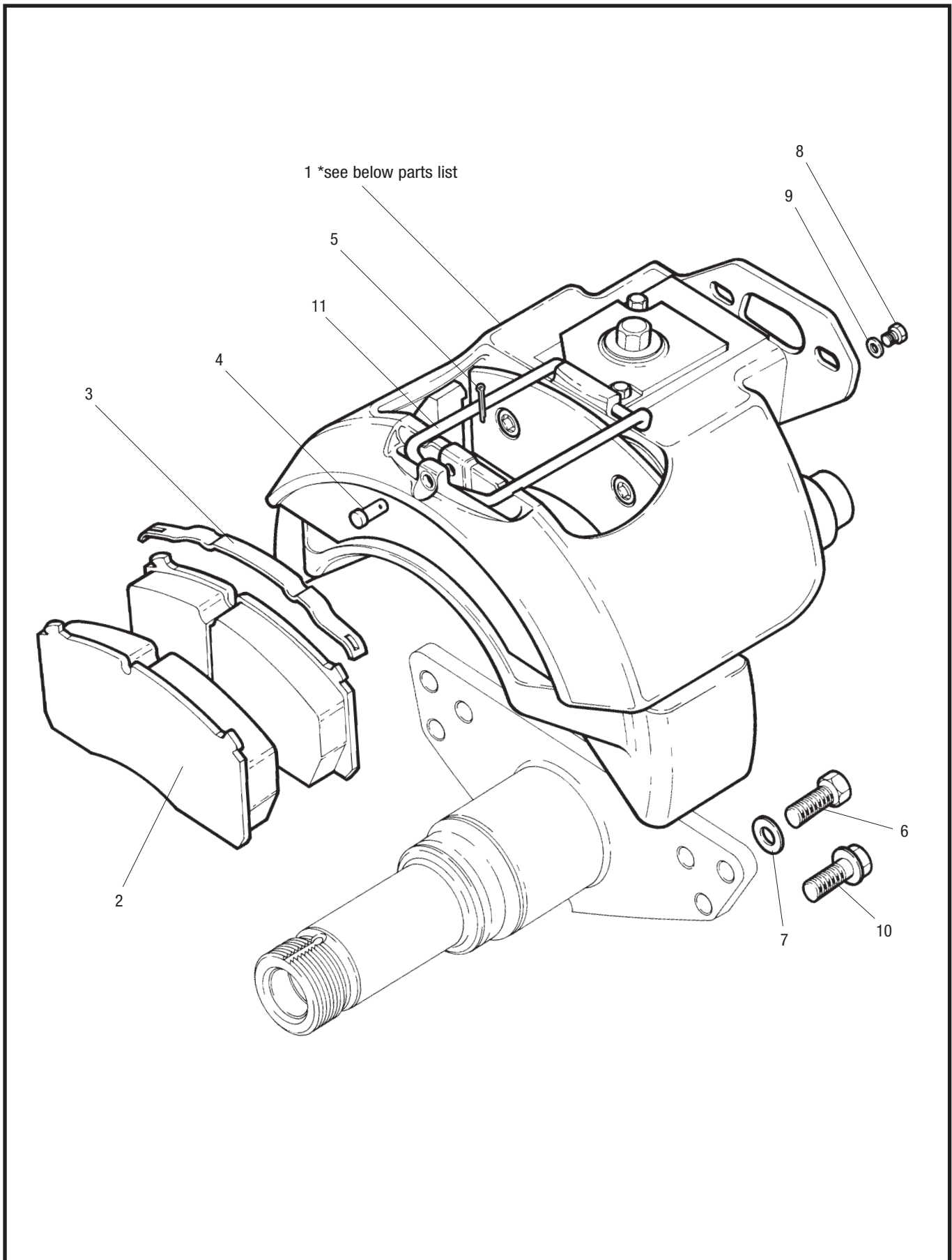
*Does not include items 5 or 6.

**see page 13 for LC hub parts

WHEEL NUTS 32mm ACROSS FLATS			
NEW PART NUMBER	REPLACES EXISTING NUMBERS	TYPE	FINISH COATING
21226395	21218643 / 21218644	STANDARD OPEN	PHOSPHATE & OIL
21226396	21225528 / 21225529	STANDARD OPEN	DACROMET 500 & OIL
21226397	21218645 / 21218621	CLOSED END	PHOSPHATE & OIL
21226484	N/A	CLOSED END	DACROMET 500 & OIL

LM & LC Parts List

DX195 Brake Assembly



**MERITOR™**

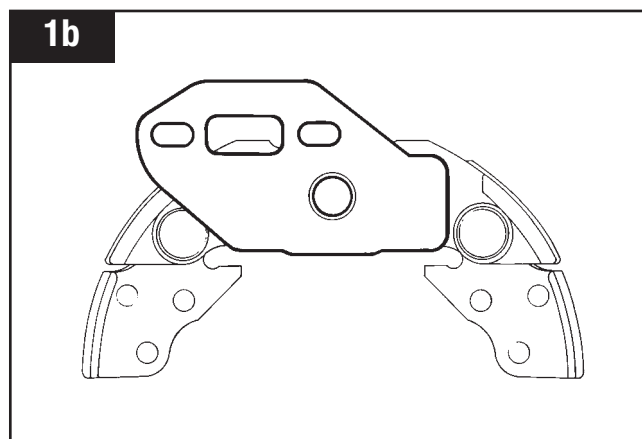
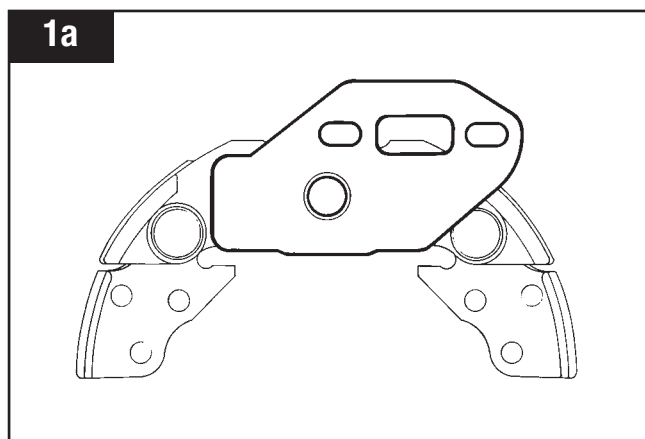
LM & LC Parts List

DX195 Brake Assembly

Item	Description	Part Number
1a	Brake assembly DX195 25, 33 & 51 (service exchange), LH	15224836SR
1b	Brake assembly DX195 26, 34 & 52 (service exchange), RH	15224837SR
2	Brake pad kit	MDP5076
3	Spring pad**	—
4	Retaining pin**	—
5	Split pin**	—
6	M16 x 45 Caliper mounting bolt	21224908
7	Hardened washer	21224978
8	Plug**	—
9	Retaining washer**	—
10	M16 x 45 Caliper flanged mounting bolt – replaces items 6 & 7 from July 2001	21227146
11	Stabiliser bar	2297J6692
12	Disc brake adjuster sleeve & thrust plate kit, LH	MCK1292
13	Disc brake adjuster sleeve & thrust plate kit, RH	MCK1293
14	Disc brake adjuster kit, LH	MCK1290
15	Disc brake adjuster kit, RH	MCK1291
16	Pad fitting kit	MBA100
17	Pad wear indicator kit	MBA1050
18	Guide pin & seal kit	MCK1171
19	Eccentric shaft seal kit	MCK1168
20	Seal kit	MCK1192

** Available in kit MBA100

* Brake Assembly Rear View

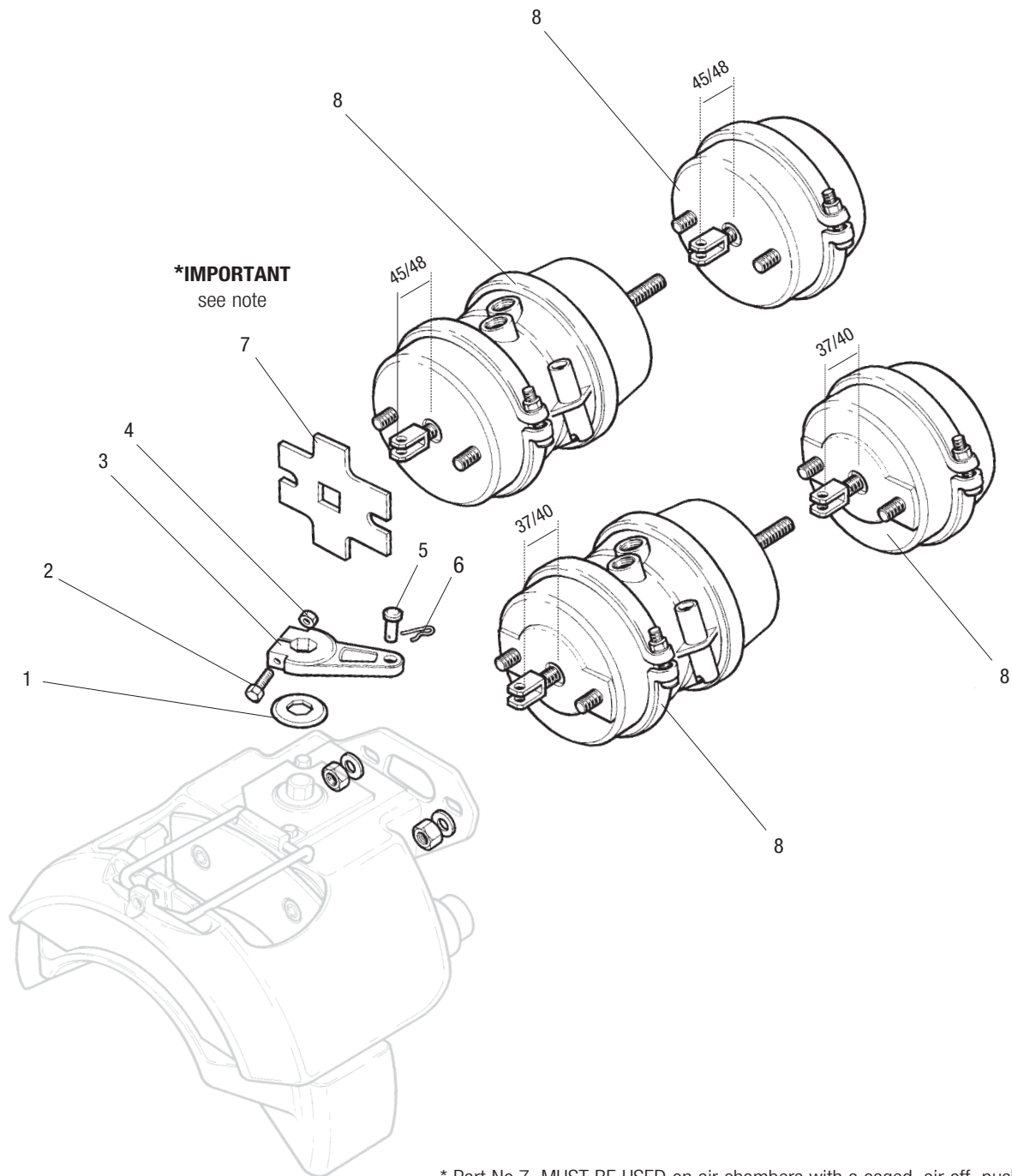


DX195 Caliper Part Number Cross Reference

Caliper	Part Number
DX195-45 with 90mm lever & pads	15224836SR (no pads/levers)
DX195-46 with 90mm lever & pads	15224837SR (no pads/levers)
DX195-47 with 80mm lever & pads	15224836SR (no pads/levers)
DX195-48 with 80mm lever & pads	15224837SR (no pads/levers)
DX195-51 (Aftermarket part numbers) – replaces DX195-33	15224836SR (no pads/levers)
DX195-52 (Aftermarket part numbers) – replaces DX195-34	15224837SR (no pads/levers)

LM & LC Parts List

DX195 Actuation and Air Chambers



***IMPORTANT**
see note

* Part No.7. MUST BE USED on air chambers with a caged, air off, push rod length of 45/48mm, measured from the mounting face of the chamber to the centre of the clevis pin hole.

Later models of brake chamber with 37/40mm pushrod length have a formed front housing and MUST NOT be fitted with the spacer plate



LM & LC Parts List

DX195 Actuation and Air Chambers

Item	Description	Part Number	
1	Lever boot	1205X2572	
2	Clamp bolt M8 x 60	MS208060Z1	
3	Lever 80mm	MCK1160	
3	Lever 90mm	MCK1161	
4	Nut M8	MNL208Z1	
5	Clevis pin	21224985	
6	R-Clip	21224996	
		Part Number 45/48mm	Part Number 37/40mm
7*	Spacer plate	21224995	None
8	T 24/24	41225763	41225763**
8	T 22/24	41225764	41225764
8	T 20/24	41225765	41225765
8	T 18/24	41225766	41225766
8	T 24	41225767	41225767
8	T 22	41225768	41225768
8	T 20	41225769	41225769
8	T 18	41224964	41225770

* Part No.7. Must be used on air chambers with a caged, air off, push rod length of 45/48mm.
It must never be used on chambers with a caged push rod length of 37/40mm.

** In tandem applications the following chambers are used: 41227590 (RH) – 41227591(LH)

**MERITOR™**

LM & LC Parts List

LM ELSA 2 Hub, Disc and ABS Assembly

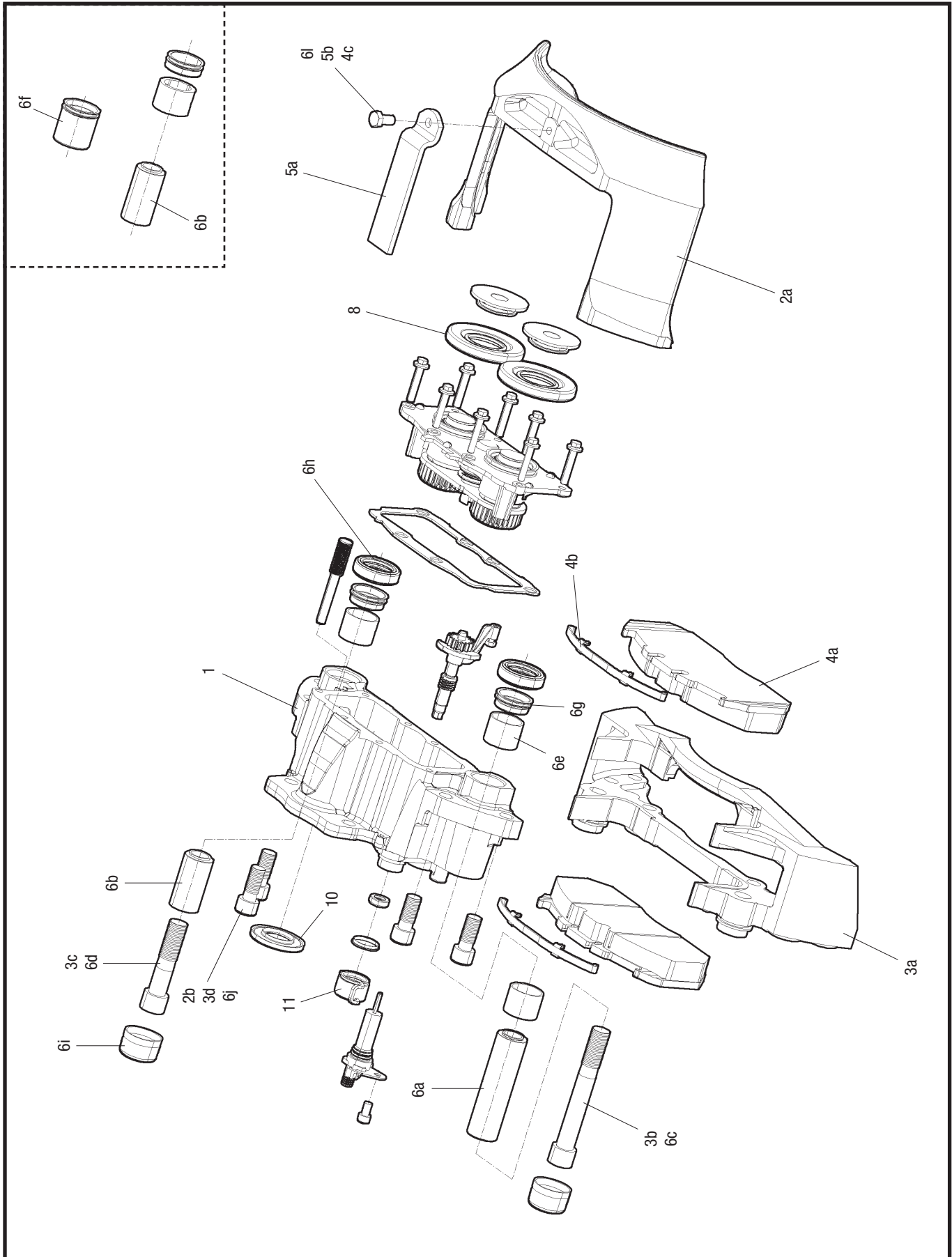
Item	Description	Part Number
1	Screw, hub cap	99543001
2	Hub cap	21224673
3	Hub cap – hubodometer	21224904
4	Gasket, hub cap	21224759
5	Screw, pinch nut	21224864
6	Pinch nut	21224762
7	Retaining clip	21224865PK5
8	Retaining washer	21224669
9	Bearings	99041075
10	Oil seal	21200321A
11	LM Hub assembly*	14225425
11A	LM Hub assembly – offset (not shown)*	14227483
11B	LC Hub assembly (not shown)**	–
12	Wheel nut	21226396
13	Wheel bolt, steel wheel	21225086
13	Wheel bolt, aluminium wheel	21220132
13	Wheel bolt, universal steel/aluminium wheel, coated (use with dacromat wheel nut)	21226340
14	Brake disc	MBR9004
15	M16 x 60 Brake disc flanged mounting bolt	21227263
16	Sensor block	21227415
17	Spring clip	21213036
18	Sensor	21213034
19	Screw, sensor bracket	99543002

*Does not include items 5 or 6.

**see page 13 for LC hub parts

LM & LC Parts List

ELSA 2 Brake Assembly



LM & LC Parts List

ELSA 2 Brake Assembly

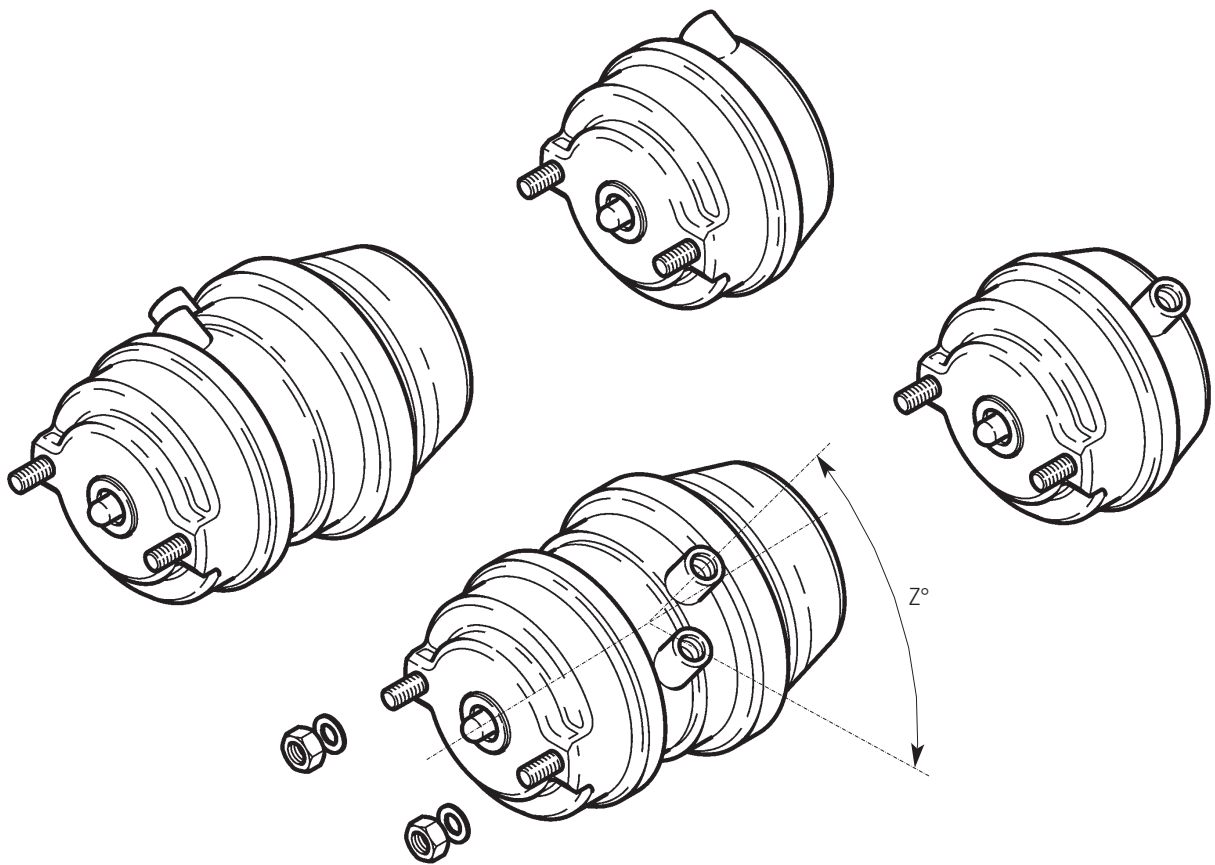


Item	Description	Part Number
1	Service caliper, RH	LRG572
1	Service caliper, LH	LRG573
3a-3d	Carrier kit	MCK1146
4a-4c	Brake pad kit	MDP5073
5a-5b	Pad retainer kit	MCK1174
6a-6j	Guide pin kit*	MCK1140
8	Tappet head kit*	MCK1139
10	Actuator seal	68323746PK10
11	Adjuster stem dust cover	68322655PK10
12	M18 x 50 Caliper flanged mounting bolt (not shown)	21227433

*includes grease (not shown)

LM & LC Parts List

LM/LC ELSA 2 Air Chamber Assembly



LM & LC Parts List

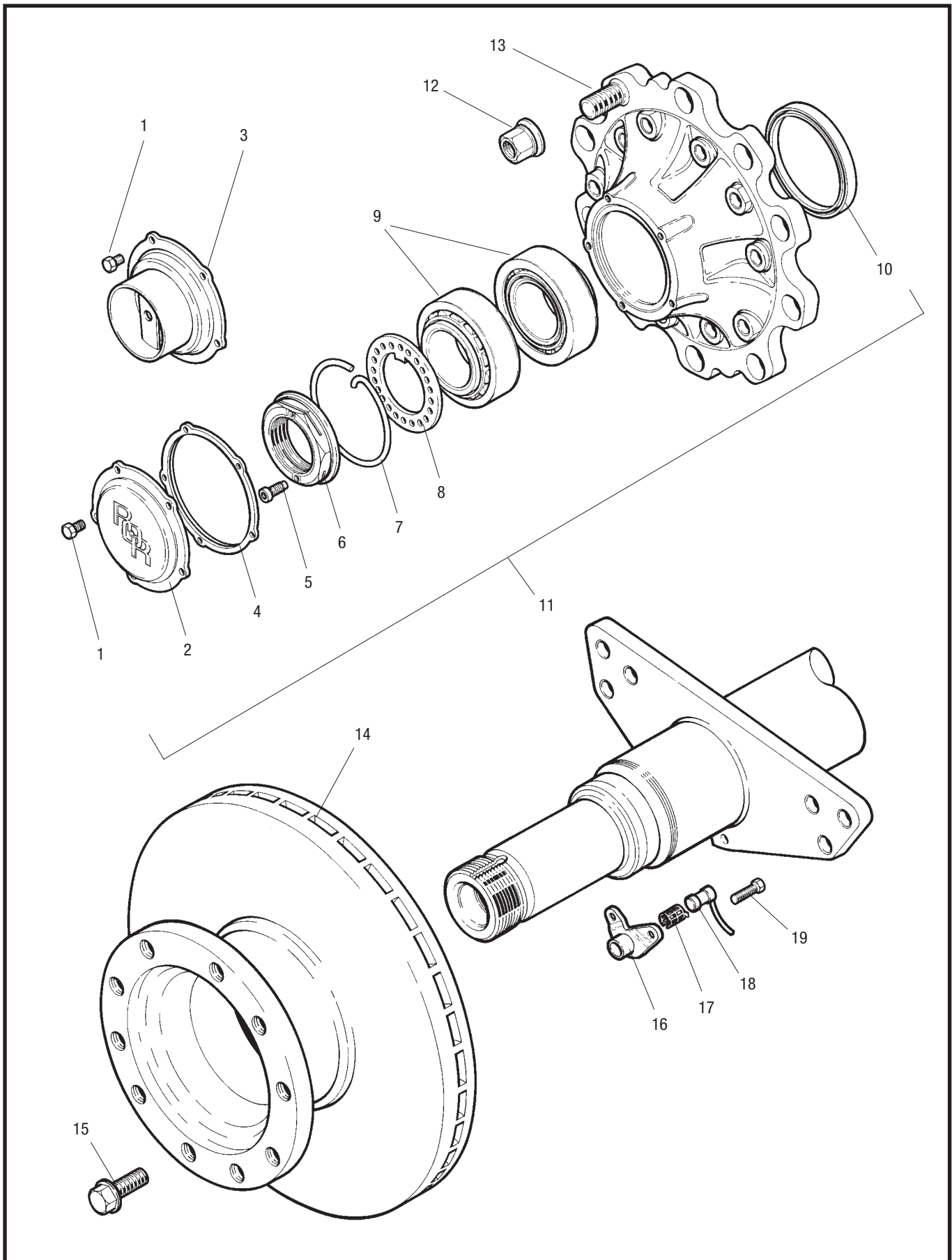
LM/LC ELSA 2 Air Chamber Assembly



Air chamber Type	Port orientation (angle Z°)	
	45°	135°
T14	41227562	41227563
T16	41227564	41227565
T18	41227865	41227866
T20	41228284	41228285
T27	41227576	41227577
T14/24	41227566	41227567
T16/24	41227568	41227569
T18/24	41227570	41227571
T20/24	41227572	41227573
T22/24	41227574	41227575
T24/24	41227867	41227868
T27/30	41228528	41228529

LM & LC Parts List

LM ELSA 195 Hub, Disc and ABS Assembly



**MERITOR™**

LM & LC Parts List

LM ELSA 195 Hub, Disc and ABS Assembly

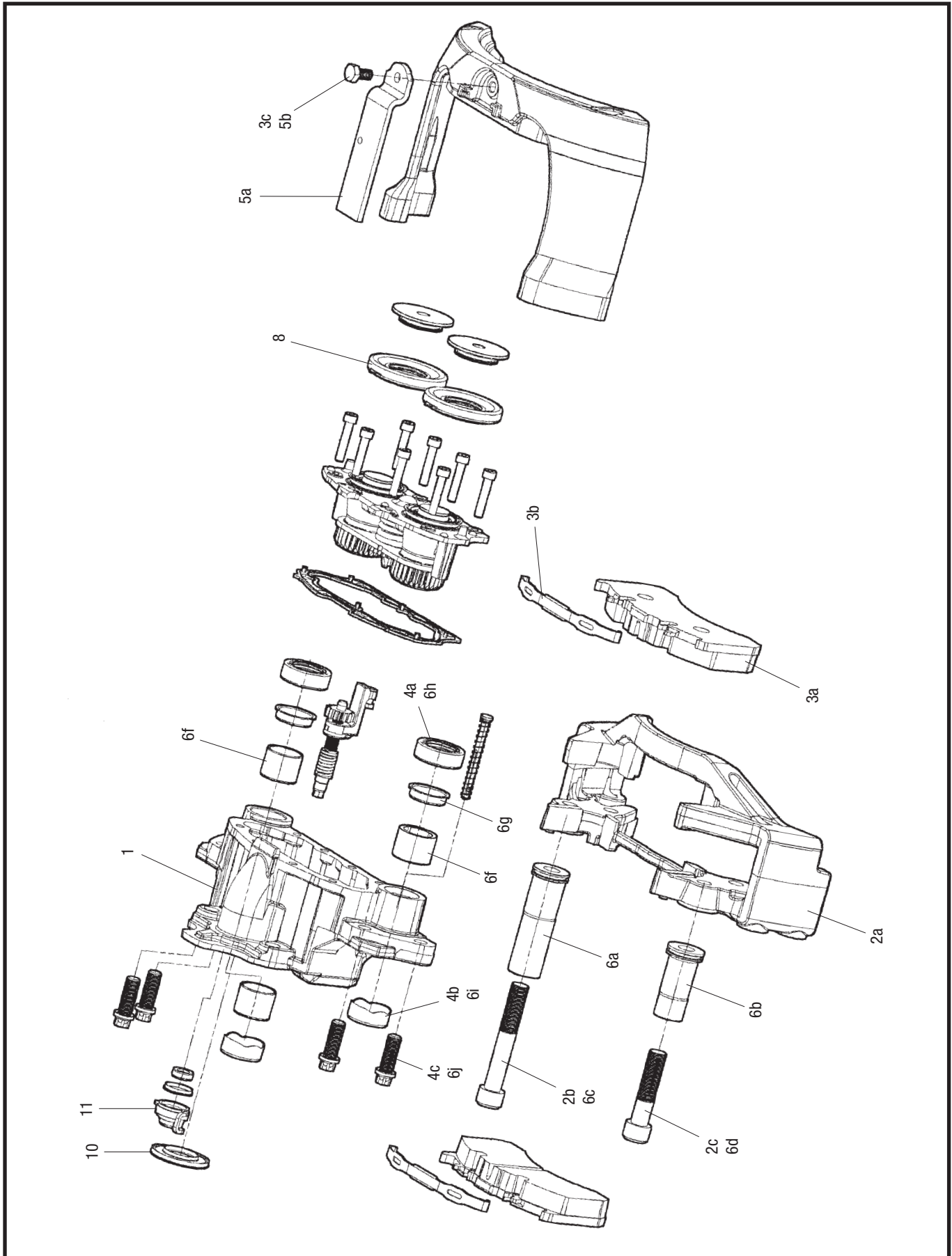
Item	Description	Part Number
1	Screw, hub cap	99543001
2	Hub cap	21224673
3	Hub cap – hubodometer	21224904
4	Gasket, hub cap	21224759
5	Screw, pinch nut	21224864
6	Pinch nut	21224762
7	Retaining clip	21224865PK5
8	Retaining washer	21224669
9	Bearings	99041075
10	Oil seal	21200321A
11	LM Hub assembly*	14225425
11A	LC Hub assembly (not shown)**	–
12	Wheel nut	21226396
13	Wheel bolt, steel wheel	21225086
13	Wheel bolt, aluminium wheel	21220132
13	Wheel bolt, universal steel/aluminium wheel, coated (use with dacromat wheel nut)	21226340
14	Brake disc	21227349
14A	Brake disc – 8 stud, LC only	MBR9014
15	M18 x 50 Brake disc flanged mounting bolt	21227433
16	Sensor block	21227927
17	Spring clip	21213036
18	Sensor	21213034
19	Screw, sensor bracket	99543002

*Does not include items 5 or 6.

**see page 13 for LC hub parts

LM & LC Parts List

ELSA 195 Brake Assembly



LM & LC Parts List

ELSA 195 Brake Assembly

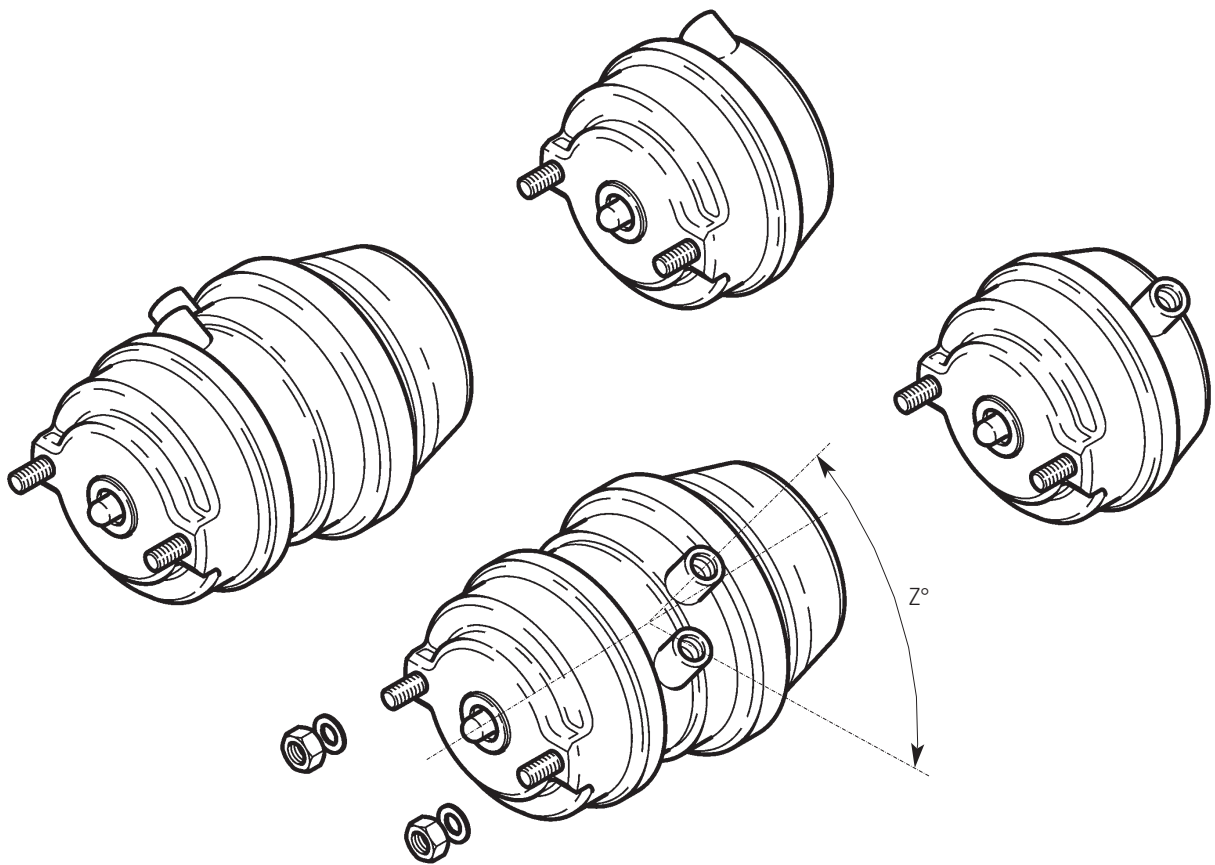


Item	Description	Part Number
1	Service caliper, RH	LRG702
1	Service caliper, LH	LRG703
2a-2c	Carrier kit	MCK1252
3a-3c	Brake pad kit	MDP5093
4a-4c	Seal kit*	MCK1253
5a-5b	Pad retainer kit	MCK1174
6a-6j	Guide pin kit*	MCK1254
8	Piston head seal kit*	MCK1139
9	Pad wear warning indicator kit (not shown)	MBAKIT1051
10	Actuator seal	68323746PK10
11	Adjuster stem dust cover	68322655PK10
12	M18 x 50 Caliper flanged mounting bolt (not shown)	21227433

*includes grease (not shown)

LM & LC Parts List

LM/LC ELSA 195 Air Chamber Assembly



LM & LC Parts List

LM/LC ELSA 195 Air Chamber Assembly



Air chamber Type	Port orientation (angle Z°)	
	45°	135°
T14	41226792	41226793
T16	41226798	41226799
T18	41226804	41226805
T20	41226808	41226809
T22	41229265	41229266
T24	41229269	41229270
T27	41226822	41226823
T14/16	41226794	41226795
T14/24	41226796	41226797
T16/16	41226800	41226801
T16/24	41226802	41226803
T18/24	41226806	41226807
T20/24	41226810	41226811
T22/24	41229267	41229268
T24/24	41229271	41229272
T24/30	41226820	41226821
T27/30	41226824	41226825
T30/30	41226826	41226827

LM & LC Parts List

Warranty

A comprehensive network of original parts distributors and service stations operate throughout Europe; this is supported internationally with agents strategically placed around the world.

All Meritor replacement parts obtained through original parts distributors are covered by a one year warranty.

For full warranty terms and conditions see 'Meritor Warranty Terms and Conditions' Publication No 4.84.1

Meritor reserve the right to make changes in specifications shown herein or add improvements at any time without notice or obligation.

PARTS SHOWN IN THIS SPARES LIST ARE MADE FROM DRAWINGS IN WHICH COPYRIGHT SUBSISTS. THE MAKING OF COPIES OF ANY OF THESE PARTS IS PROHIBITED.

© Meritor HVS Limited



The high quality assurance management systems applied by Meritor are endorsed with the awarding of ISO 9001, Lloyd's Register Quality Assurance.

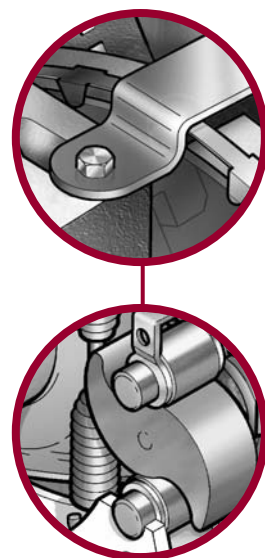
LM & LC Parts List



LM & LC Parts List

LM & LC Parts List





ArvinMeritor

Commercial Vehicle Aftermarket AG
Neugutstrasse 89
8600 Dübendorf
Switzerland
Tel: +41 (0)44 824 82 00
Fax: +41 (0)44 824 82 65

ArvinMeritor

Commercial Vehicle Aftermarket Ltd.
Park Lane, Great Alne, Alcester
Warwickshire B49 6HT
U.K.
Tel: 0845 606 7733
Fax: 0845 606 8844

www.arvinmeritor.com

Descriptions and specifications were in effect at the time of publication and are subject to change without notice or liability. Meritor reserve the right to make design improvements, change or discontinue parts at any time.

© 2005 ArvinMeritor

This catalogue may be used only to specify and sell products of ArvinMeritor, its subsidiaries and affiliated companies.

Issued 08-04
Publication CVA-4.89.3 rev. 2

ArvinMeritorTM