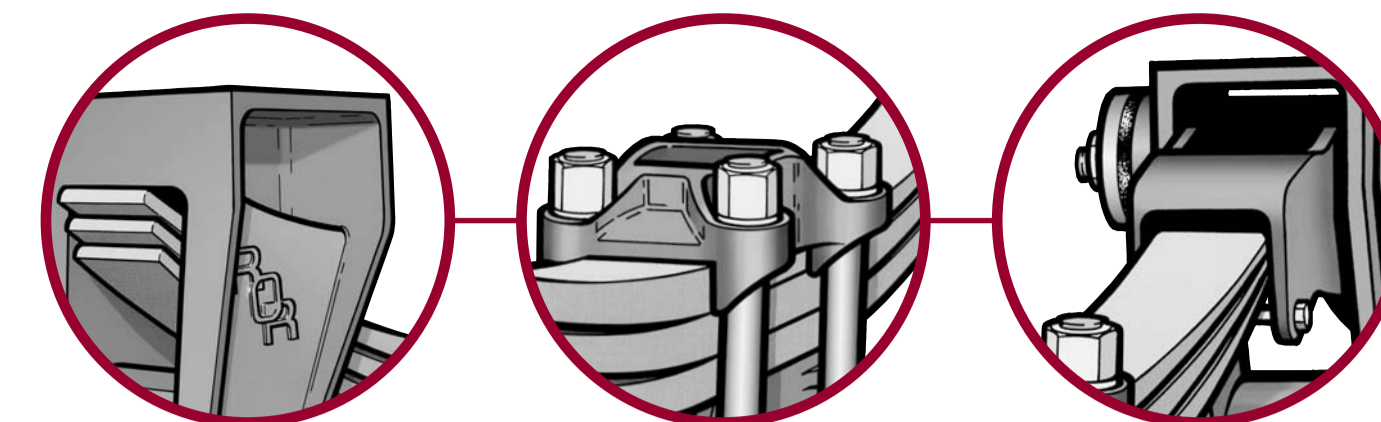
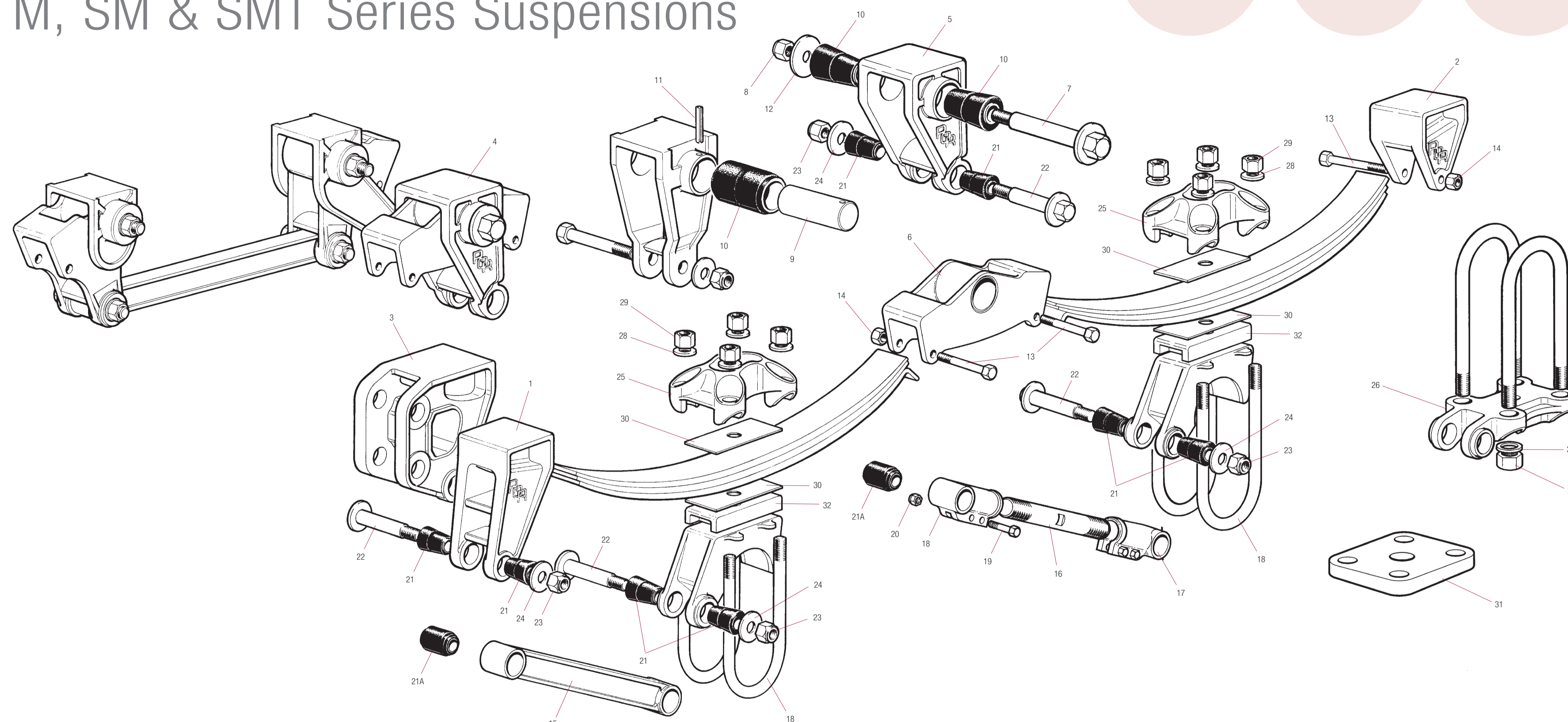


Mechanical Suspensions

M, SM & SMT Series Suspensions



an **ArvinMeritor** brand



Springs

Part No.	No. of Leaves	Length mm	Thickness mm	Comments
21017560	Single	1221	41	1360 Axle Spacing
21200891	Single	1198	41	1360 Axle Spacing, Tri-Axle Centre Spring
21017788	Single	1221	38	1360 Axle Spacing
21021021	Single	1198	38	1360 Axle Spacing, Tri-Axle Centre Spring
21214495	Single	1175	38	1310 Axle Spacing, Low Camber
21214496	Single	1170	38	1310 Axle Spacing, Tri-Axle Centre Spring – low camber
21218360	Single	1175	41	1310 Axle Spacing
21218361	Single	1170	41	1310 Axle Spacing, Tri-Axle Centre Spring
21210822	2	1210	65	1360 Axle Spacing
21210823	2	1190	65	1360 Axle Spacing, Tri-Axle Centre Spring
21211928	2	1210	65	1360 Axle Spacing, Underslung
21211929	2	1190	65	1360 Axle Spacing, Tri-Axle Centre Spring, Underslung
21214502	2	1152	59	1310 Axle Spacing
21214503	2	1128	59	1310 Axle Spacing, Tri-Axle Centre Spring
21214578	2	1152	59	1310 Axle Spacing, Underslung
21214579	2	1128	59	1310 Axle Spacing, Tri-Axle Centre Spring, Underslung
21214066	3	1152	78	1310 Axle Spacing
21214067	3	1128	78	1310 Axle Spacing, Tri-Axle Centre Spring
21204279	3	1197	78	1360 Axle Spacing
21204921	3	1175	78	1360 Axle Spacing, Tri-Axle Centre Spring
21204922	3	1175	78	1360 Axle Spacing, Tri-Axle Centre Spring, Underslung
21204923	3	1197	78	1360 Axle Spacing, Underslung
21214580	3	1152	78	1310 Axle Spacing, Underslung
21214581	3	1128	78	1310 Axle Spacing, Tri-Axle Centre Spring, Underslung
21215420	3	1000	69	1145 Axle Spacing
21215421	3	972	69	1145 Axle Spacing, Tri-Axle Centre Spring
21217432	3	1000	69	1145 Axle Spacing, Underslung
21217433	3	972	69	1145 Axle Spacing, Tri-Axle Centre Spring, Underslung
21019961	5 + 2p	1099	100	1245 Axle Spacing
21020425	5 + 2p	1099	100	1245 Axle Spacing, Underslung – convert from 21019961
21020876	5	1099	71	1245 Axle Spacing
21016923	6	1089	102	1265 Axle Spacing, Tri-Axle Centre Spring
21029750	6 + 1p	1210	102	1360 Axle Spacing
21024589	6	1210	90	1360 Axle Spacing, Low Camber
21024778	6	1175	90	1360 Axle Spacing, Tri-Axle Centre Spring – low camber
21200058	6 + 1p	1210	102	1360 Axle Spacing, Underslung – convert from 21019750
21200996	6 + 1p	1175	102	1360 Axle Spacing, Tri-Axle Centre Spring
21209864	6 + 1p	1175	102	1360 Axle Spacing, Tri-Axle Centre Spring, Underslung
21016922	7 + 1p	1108	102	1265 Axle Spacing
21024587	7	1210	109	1360 Axle Spacing – low camber spring
21024779	7	1175	109	1360 Axle Spacing, Tri-Axle Centre Spring – low camber
21200108	7	1210	100	1360 Axle Spacing
21200877	7	1210	100	1360 Axle Spacing, Underslung – convert from 21200108
21200997	7	1175	100	1360 Axle Spacing, Tri-Axle Centre Spring
21202210	7	1175	100	1360 Axle Spacing, Underslung – convert from 21200997
21017128	8	1210	102	1360 Axle Spacing, Underslung – convert from 21017650
21017650	8	1210	102	1360 Axle Spacing
21018612	8	1029	102	1135 Axle Spacing, Tri-Axle Centre Spring
21019196	8 + 1p	927	102	1040/1135 Axle Spacing
21019399	8 + 1p	845	102	1040 Axle Spacing, Tri-Axle Centre Spring
21020068	8 + 1p	927	102	1040/1135 Axle Spacing, Underslung – convert from 21019196
21020069	8 + 1p	845	102	1040 Axle Spacing, Underslung – convert from 21019399
21024734	8	1029	102	1135 Axle Spacing, Underslung – convert from 21018612
21200078	8	1210	114	1360 Axle Spacing
21200431	8	1210	114	1360 Axle Spacing, Underslung – convert from 21200078
21200998	8	1175	114	1360 Axle Spacing, Tri-Axle Centre Spring
21203367	8	1175	114	1360 Axle Spacing, Tri-Axle Centre Spring, Underslung
21212847	8	1045	102	1200 Axle Spacing
21212848	8	1020	102	1200 Axle Spacing, Tri-Axle Centre Spring
21017651	9	1210	114	1360 Axle Spacing
21019555	9	1210	114	1360 Axle Spacing, Underslung – convert from 21017651
21023701	9	1175	114	1360 Axle Spacing, Tri-Axle Centre Spring
21201289	9	1210	129	1360 Axle Spacing
21209244	9	1175	129	1360 Axle Spacing, Tri-Axle Centre Spring
21211383	9	1210	129	1360 Axle Spacing, Underslung – convert from 21201289
21017682	10	1210	127	1360 Axle Spacing
21017798	10	1210	127	1360 Axle Spacing, Underslung – convert from 21017682
21200067	10	953	111	1100 Axle Spacing
21200068	10	902	111	1100 Axle Spacing, Tri-Axle Centre Spring
21200284	10	1175	127	1360 Axle Spacing, Tri-Axle Centre Spring
21203522	10	1213	143	1360 Axle Spacing
21220527	10	1213	143	1360 Axle Spacing, Underslung – convert from 21203522
21203636	10	1182	143	1360 Axle Spacing, Tri-Axle Centre Spring
21205028	10	1182	143	1360 Axle Spacing, Underslung – convert from 21203636
21024588	11	933	96	1080 Axle Spacing – low camber spring
21203669	11	889	96	1080 Axle Spacing, Tri-Axle Centre Spring – low camber spring
21203629	11	1213	143	1360 Axle Spacing
21203630	11	1182	157	1360 Axle Spacing, Tri-Axle Centre Spring
21025427	12	1210	152	1360 Axle Spacing
21211035	12	1210	152	1360 Axle Spacing, Underslung – convert from 21025427
21202467	12	1175	152	1360 Axle Spacing, Tri-Axle Centre Spring
21211036	12	1175	152	1360 Axle Spacing, Underslung – convert from 21202467

Hanger Brackets	M	SM	SMT
1 Front	21016374	21016374	21205836
2 Rear	21208082	21208082	21208082
3 Drawbar	–	–	21206941

Equalisers	M	SM	SMT
4 Complete Assy – Close coupled	19016501	19203139	19206038
Complete Assy – Close coupled – Heavy Duty	–	–	19221280
Complete Assy – Close coupled (Offset)	–	–	19212382 (110) RH
Complete Assy – Close coupled – Underslung Special	–	–	19212383 (110) LH
Complete Assy – Close coupled – Underslung Special	–	–	19214694
Complete Assy – Semi-w/ spread	–	19204063	19206221
Complete Assy – Semi-w/ spread – Underslung Special	–	–	19223839
Complete Assy – Widespread	–	19204034 (F)	19206132 (F)
		19204033 (R)	19206131 (R)
5 Equaliser Bracket – Close coupled	21016379	21203140	21205837
Equaliser Bracket – Close coupled (Offset)	–	–	21212384 (110)
Equaliser Bracket – Close coupled – Underslung Special	–	–	19217857
Equaliser Bracket – Semi-w/ spread	21016379	21203140	21205837
Equaliser Bracket – Semi-w/ spread – Underslung Special	–	–	19217857
Equaliser Bracket – Widespread	–	21204037 (F)	21206133 (F)
		21204035 (R)	21206133 (R)
6 Equaliser c/w bush – Close coupled	19016378A	21203141A	21203141A
Equaliser c/w bush – Close coupled – Heavy Duty	–	–	21212538
Equaliser c/w bush – Close coupled (Offset)	21212108A (105) RH	–	21212385 (110) RH
	21212109A (105) LH	–	21212386 (110) LH
	21202674A (160) RH	–	–
	21202675A (160) LH	–	–
Equaliser c/w bush – Semi-w/ spread	–	21204062	21204062
Equaliser c/w bush – Widespread	19017211A	21204036	21206134
7 Bolt Equaliser	–	21206000	21206000
7 Bolt Equaliser (Offset)	–	–	21212390 (110)
8 Equaliser Bolt Locknut	–	21206001	21206001
9 Shaft	21016381S	–	–
10 Bush	21011746	21020676	21020676
10A Tube Spacer (Offset)	–	–	21212388 (110)
11 Drive Pin	21016382	–	–
12 Clamp Washer	–	21020678	21020678
13 Bolt	21206055	21206055	21206055
14 Nut	21206037	21206037	21206037

Torque Arms Rigid	M & SM	SMT
15		
'A' Centres	Part No.	Part/Casting No.
508	19015935	21015019
425	19015936	21015728
464	19016345	21016343
549	19016346	21016344
699	19017126	21017096
400	19016645	21016643
489	19016646	21016644
565	19020813	21020812
813	19021083	21021084
337	19024873	21024872
629	19025442	21025441
352	19200655	21200654
381	19024387	21024386
537	19200121	21200119
438	19200122	21200120
360	–	21206140
406	–	21206256
450	–	21204055

Torque Arms Adjustable	Max/Min Centres mm	Screw Part No.	M & SM Assy Part No.	SMT Assy Part No.
16				
498/441	21016433	19016342	19016341	19206039
562/502	21016434	19016342	19016341	19206143
438/381	21016124	19017118	19017118	19206144
378/327	21017758	19017757	19017757	19206145
406/349	21019394	19019400	19019400	19206146
648/584	21018359	19023170	19023170	19206147
838/775	21201540	19201539	19201539	–

Torque Arm End Assembly	M	SM	SMT
17 Complete Torque Arm End Assembly	19015798 RH	19015798 RH	19209548 RH
	19015799 LH	19015799 LH	19209549 LH
18 Torque Arm End	21013636 RH	21013636 RH	21205840 RH
	21013637 LH	21013637 LH	21205841 LH
19 Bolt	702220814	702220814	21206054
20 Nut	21016384	21016384	21206037
21 Bush	–	–	21202104
21A Bush	21011745	21011745	–

Fastenings, Torque Arm	M	SM	SMT
22 Torque Arm Bolt	21015626	21015626	21202094
23 Torque Arm Locknut	21016115	21016115	21206001
24 Torque Arm Washer	21206539	21206539	21202092

'U' Bolts and Associated Items	M	SM	SMT
25 Top Plate (standard applications)	21206056	21206056	21206056
26 Torque Arm Mounting Bracket (underslung application)	21201099	21201099	21206139
27 'U' Bolt	21206225	21206225	21206225
28 Washer, 'U' Bolt	21206539	21206539	21206539
29 Nut, 'U' Bolt	21006511	21006511	21006511
30 Delrin Liner	21016639	21016639	21016639
30A Location Button, Underslung (not illustrated)	21200339	21200339	21200339
31 Clamp Plate, Underslung Special (Mono Leaf Version)	–	–	21218497

Spacer Block	Dim. B	M, SM & SMT Part No.
32	70	21017317
	25	21019698
	38	21018636
	45	21019763

M & SM Spring Seats	Part No.	Part No.	Part No.	Part No.	Part No.
21017616	21017617	21020407	21024150	21018673	21201739

SMT Spring Seats	Part No.	Part No.	Part No.	Part No.	Part No.
21205838	21206070	21206111	21206071	21206071 B	21018673
					21201739

Suspension Kits	Qty	Component	Part No.
TORQUE ARM BUSH/BOLT KIT			
Suitable for M & SM Suspensions			
2	Torque Arm Bolt	21015626	
2	Torque Arm Bush	21011745	
2	Washer	21206539	
2	Locknut	21016115	
EQUALISER BUSH KIT			
Suitable for SMT, SM and T Suspensions			
1	Equaliser Shaft	21206000	
1	Nut	21206001	
2	Bush	21020676	
1	Washer	21020678	

Suspension Kits	Qty	Component	Part No.
TORQUE ARM BUSH/BOLT KIT			
Suitable for all SMT Suspensions			
2	Torque Arm Bolt	21202094	
2	Locknut	21206001	
2	Washer	21202092	
4	Bush	21202104	
EQUALISER BUSH KIT			
Suitable for M Suspensions			
1	Shaft	21016381S	
1	Bush	21011746	
1	Pin	21016382	